

SUNSHINE[®]

Industrial Sewing Machines.

MODEL 1100 SERIES

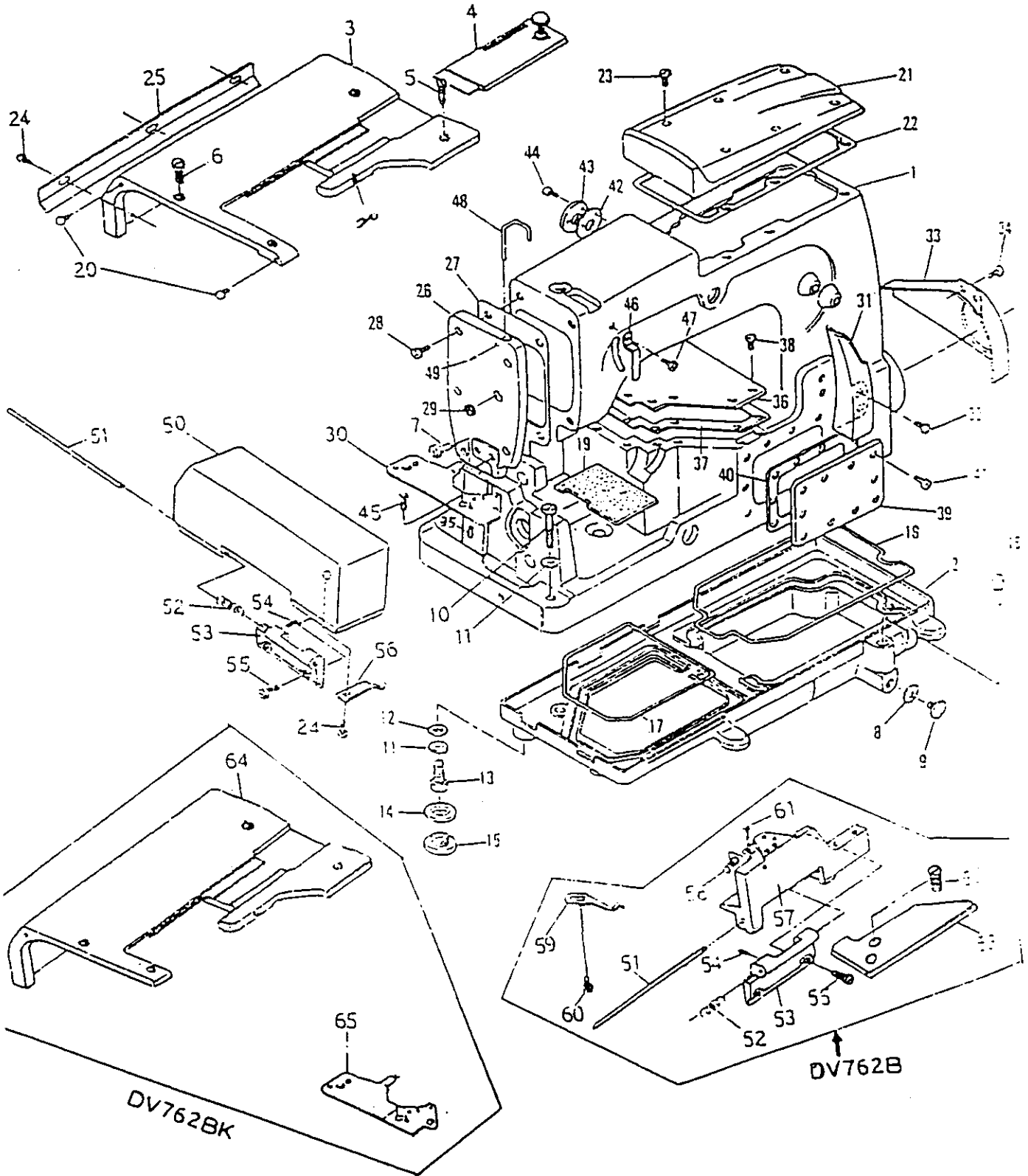
PARTS BOOK

**MOD. 1102BL
1112BLF**

Contens

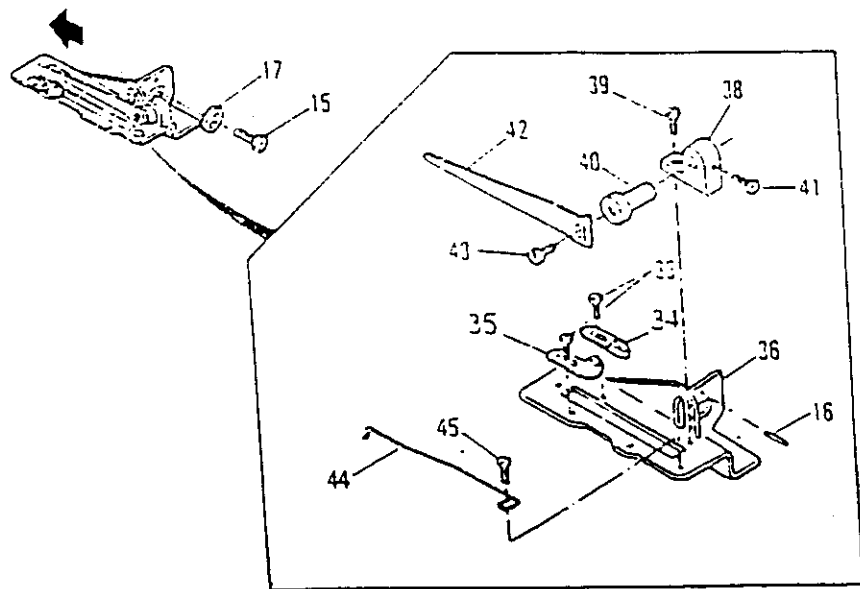
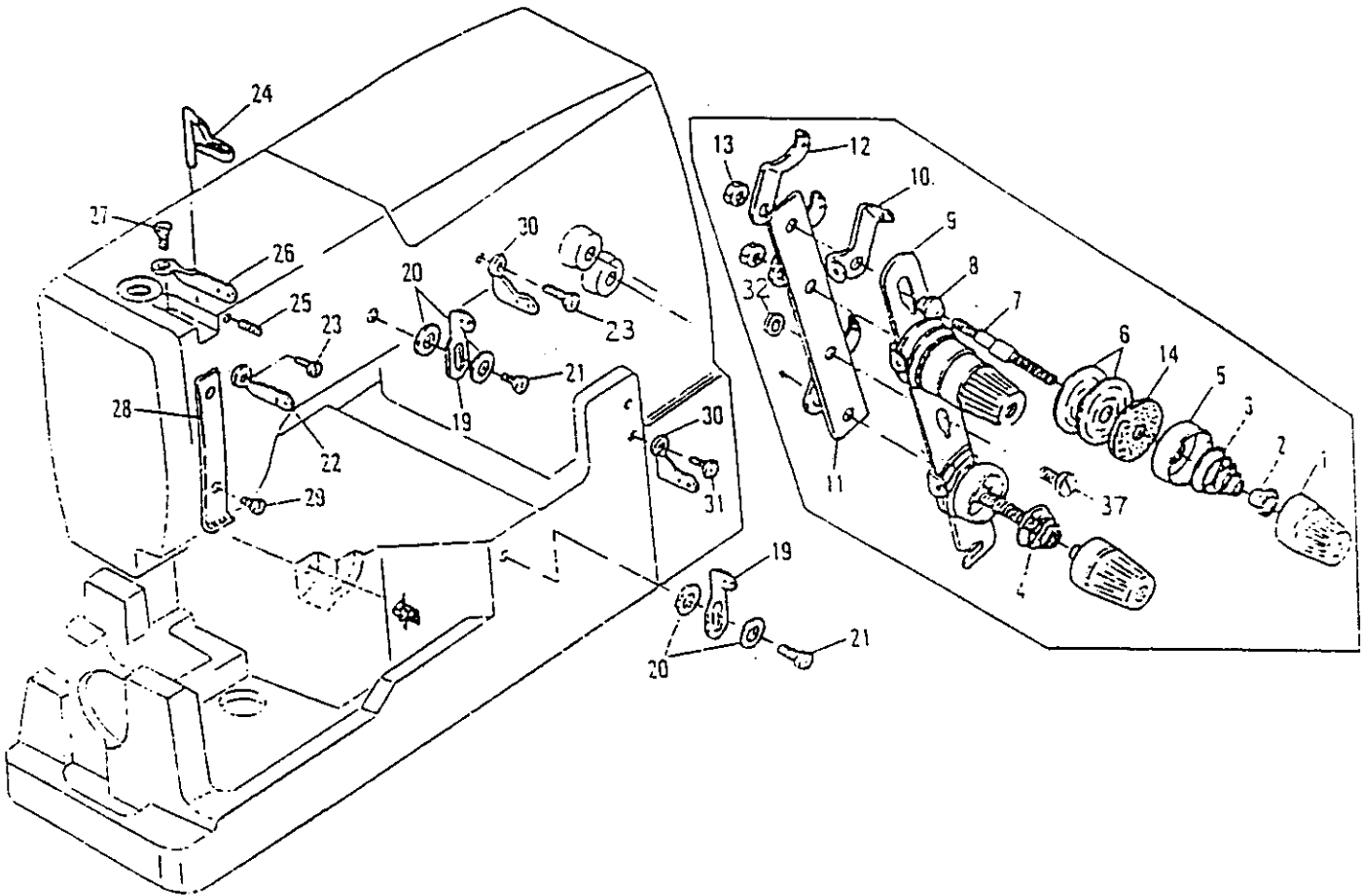
1. Housing components.....1
2. Thread eyelet components.....3
3. Bushings.....5
4. Oil lubrication apparatus.....7
5. Needle lever crank.....9
6. Feed rocker.....11
7. Looper.....13
8. Front knife mechanism.....15
9. Front knife mechanism.....17
10. Foot lifter components.....19
11. Gauge parts.....20
12. Accessories.....21
13. Table stand installation diagram.....22

1. Housing components.



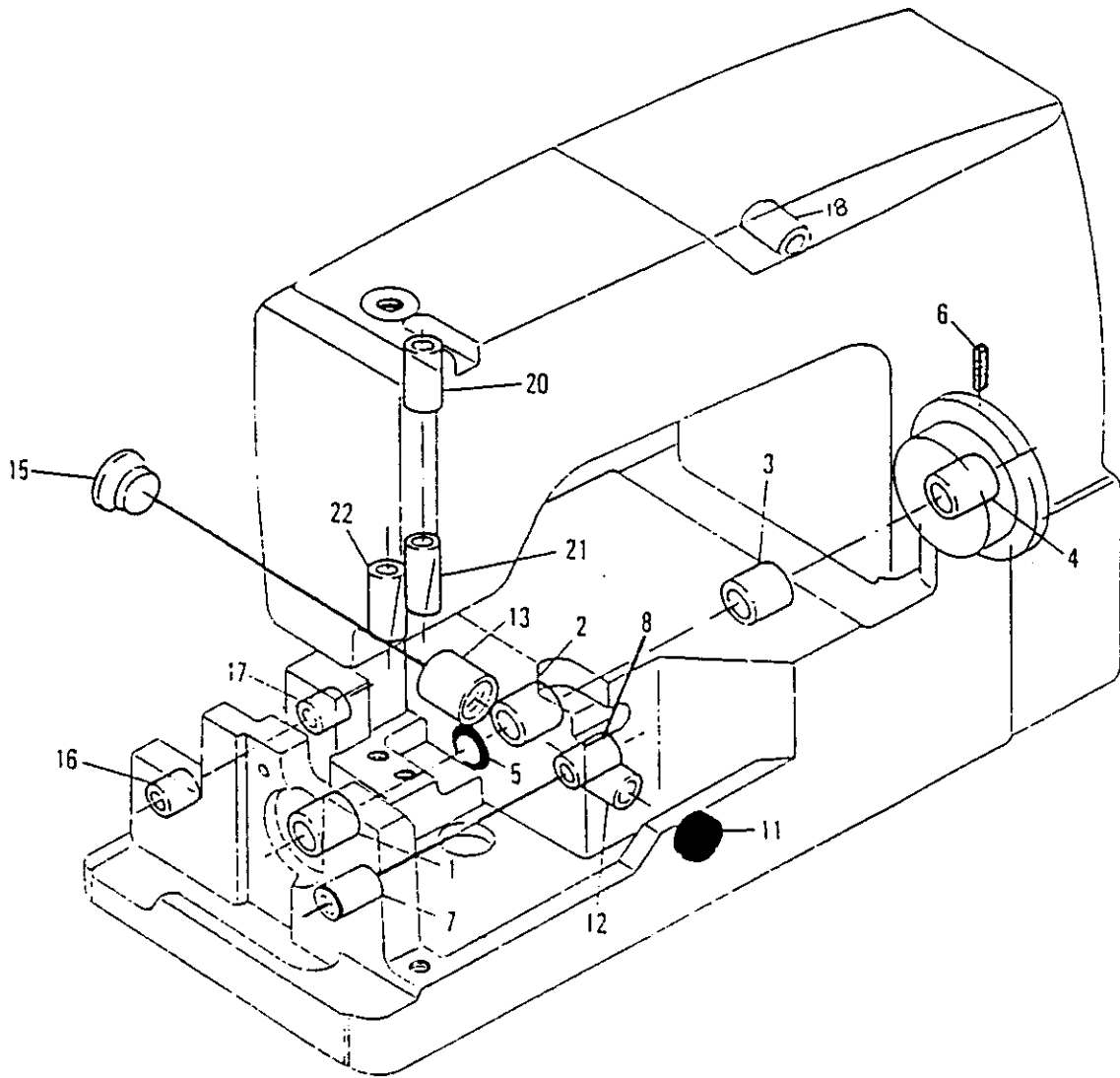
Ref. No.	Part No.	Part Name	Q'ty	Ref. No.	Part No.	Part Name	Q'ty
1	K60101	Arm bed standard	1	33	B60133	Pulley cover	1
2	B60102	Oil reservoir	1	34	B60123	Screw	3
3	W80102	Upper cloth plate	1	35	B60161	Knock pin	2
4	W80104	Slide plate	1	36	B60136	Oil reservoir top cover	1
5	B60157	Screw	2	37	B60137	Upper oil cover gasket	1
6	B60158	Screw	2	38	B60138	Screw	7
7	B60107	Screw	2	39	B60139	Front oil cover	1
8	B60108	Gasket	1	40	B60140	Front oil cover gasket	1
9	B60109	Screw	1	41	B60141	Screw	3
10	B60110	Screw	2	42	B60142	Oil seal plate gasket	1
11	B60111	Oil reservoir washer	6	43	B60143	Oil seal plate	1
12	B60112	Seal gasket	4	44	B60144	Screw	3
13	B60113	Screw	4	45	B60160	Screw	2
14	B60114	Gasket	4	46	B60146	Needle bar eyelet safety plate	1
15	B60115	Screw	4	47	B60132	Screw	1
16	B60116	Oil gauge	1	48	B60148	Needle bar eyelet safety bar	1
17	B60117	Oil reservoir	1	49	B60149	Screw	1
18	B60118	Oil reservoir	1	50	W80108	Side cover	1
19	B60119	Oil filter	1	51	W80150	Hinge lever	2
20	W80147			52	W80149	Spring	2
21	B60121	Crank chamber oil cover	1	53	W80109	Hinge	2
22	B60122	Crank chamber oil cover gasket	1	54	B80744	Screw	4
23	B60123	Screw	6	55	B60123	Screw	4
24	B60123	Screw	3	56	W80110	Side cover spring	1
25	W80103	Supporting cover	1	57	W80112	Ruler holder	1
26	B60126	Head cover	1	58	W80117	Latch pin	1
27	B60127	Head cover gasket	1	59	W80134	Ruler holder spring	1
28	B60123	Screw	5	60	B80157	Screw	2
29	B60129	Head cover oil seal cap	1	61	B60229	Screw	1
30	K60165	Needle plate support	1	62	B60551	Screw	2
31	B60131	Tension disc cover	1	63	P30117	Ruler plate	1
32	B60132	Screw	2	64	K60164	Upper cloth plate (BK)	1
				65	K60165	Needle plate support (BK)	1

2. Thread eyelet components



Ref. No.	Part No.	Part Name	Q'ty	Ref. No.	Part No.	Part Name	Q'ty
1	860201	Tension regulating nut.....	3	24	880236	Needle thread take-up wire.....	1
2	860202	Tension disc retainer.....	3	25	860225	Screw.....	1
3	860203	Needle thread tension spring.....	2	26	860226	Needle bar thread eyelet 2.....	1
4	860204	Looper thread tension spring.....	1	27	860132	Screw.....	1
5	860205	Tension disc cover.....	3	28	860228	Needle thread guide 3.....	1
6	860206	Tension disc.....	6	29	860229	Screw.....	2
7	860207	Tension post.....	3	30	860230 (2P)	Looper thread eyelet 1.....	2
8	860208	Tension post collar.....	3	31	860231	Screw.....	1
9	860209	Tension post support.....	1	32	860111	Washer.....	1
10	860210	Tension post thread eyelet.....	3	33	860233	Screw.....	2
11	860211	Tension post holder.....	1	34	860234	Looper thread guide eyelet (right) 1	1
12	860212	Lead in thread eyelet.....	3	35	860235	Looper thread guide eyelet (left) 1	1
13	860213	Nut.....	2	36	860236	Cast-off support plate.....	1
14	860214	Felt.....	3	37	861333	Screw.....	1
15	860107	Screw.....	1	38	860238	Retainer support bracket.....	1
16	860216	Pin.....	2	39	860239	Screw.....	1
17	860217	Washer.....	1	40	860240	Pin for looper thread retainer.....	1
18				41	860241	Screw.....	1
19	860219 (2P)	Needle thread eyelet 1.....	2	42	860242	Looper thread retainer.....	1
20	860105	Washer.....	4	43	860132	Screw.....	1
21	860123	Screw.....	2	44	860244	Looper thread cast-off pin.....	1
22	860222	Needle lever thread eyelet 2.....	1	45	860233	Screw.....	1
23	860132	Screw.....	2				

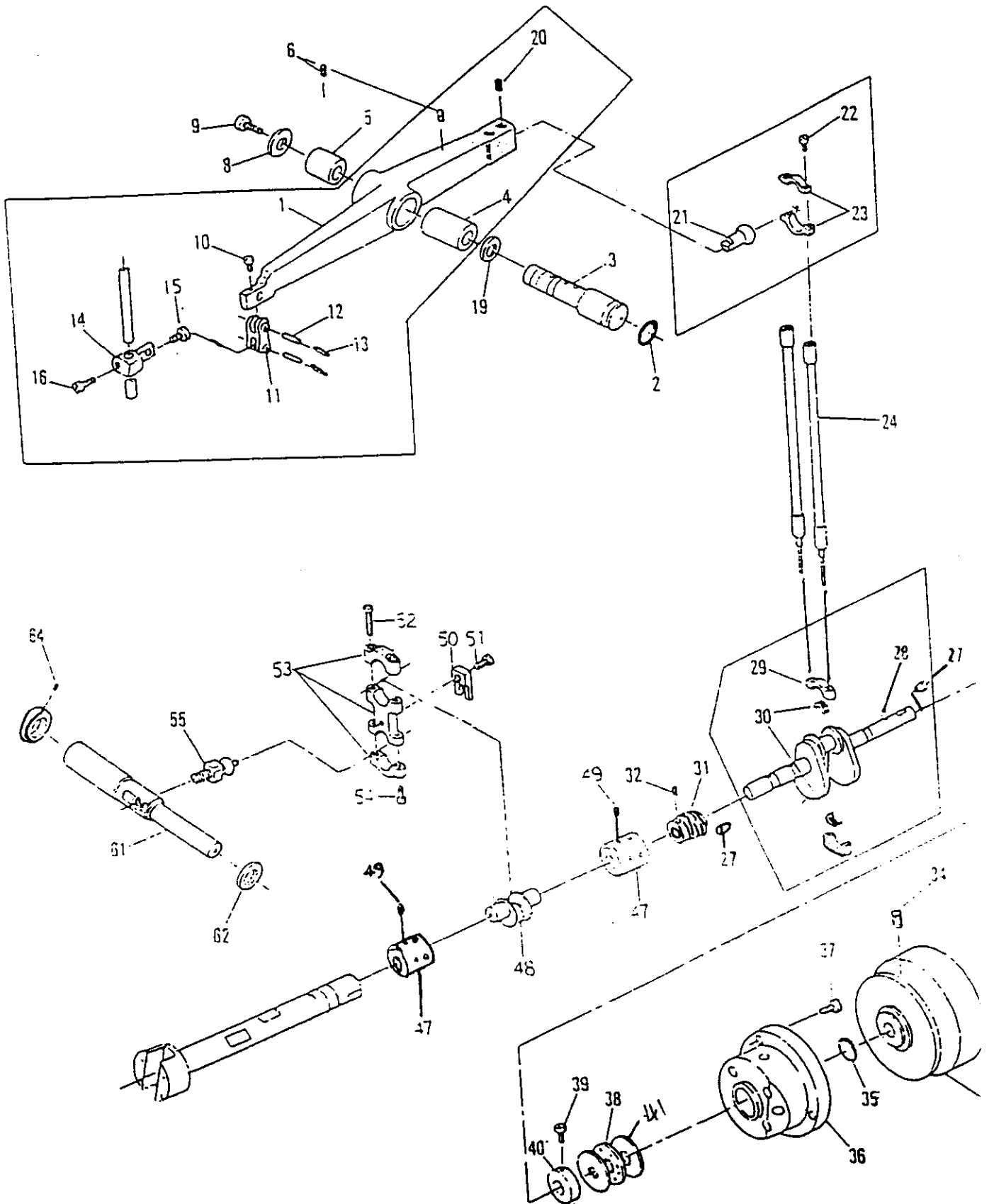
3. Bushings



Ref. No.	Part No.	Part Name	Q'ty	Ref. No.	Part No.	Part Name	Q'ty
1	860301	Main shaft bushing.....	1	17	B60317	Feed rocker shaft bushing.....	1
2	860302	Main shaft bushing.....	1	18	B60331	Presser foot lifter lever bushing... 1	
3	860303	Main shaft bushing.....	1	19			
4	860304	Flange bushing.....	1	20	K60320	Needle bar bushing (upper).....	1
5	860305	O-ring.....	1	21	K60321	Needle bar bushing (lower).....	1
6	860435	Felt.....	1	22	B60322	Presser bar bushing.....	1
7	860307	Looper racket shaft bushing.....	1				
8	860308	Looper rocker shaft bushing.....	1				
9							
10							
11	860311	Oil plug.....	1				
12	860312	Looper drive lever shaft bushing... 1					
13	860313	Looper drive lever shaft bushing... 1					
14							
15	860315	Seal cap.....	1				
16	860316	Feed rocker shaft bushing.....	1				

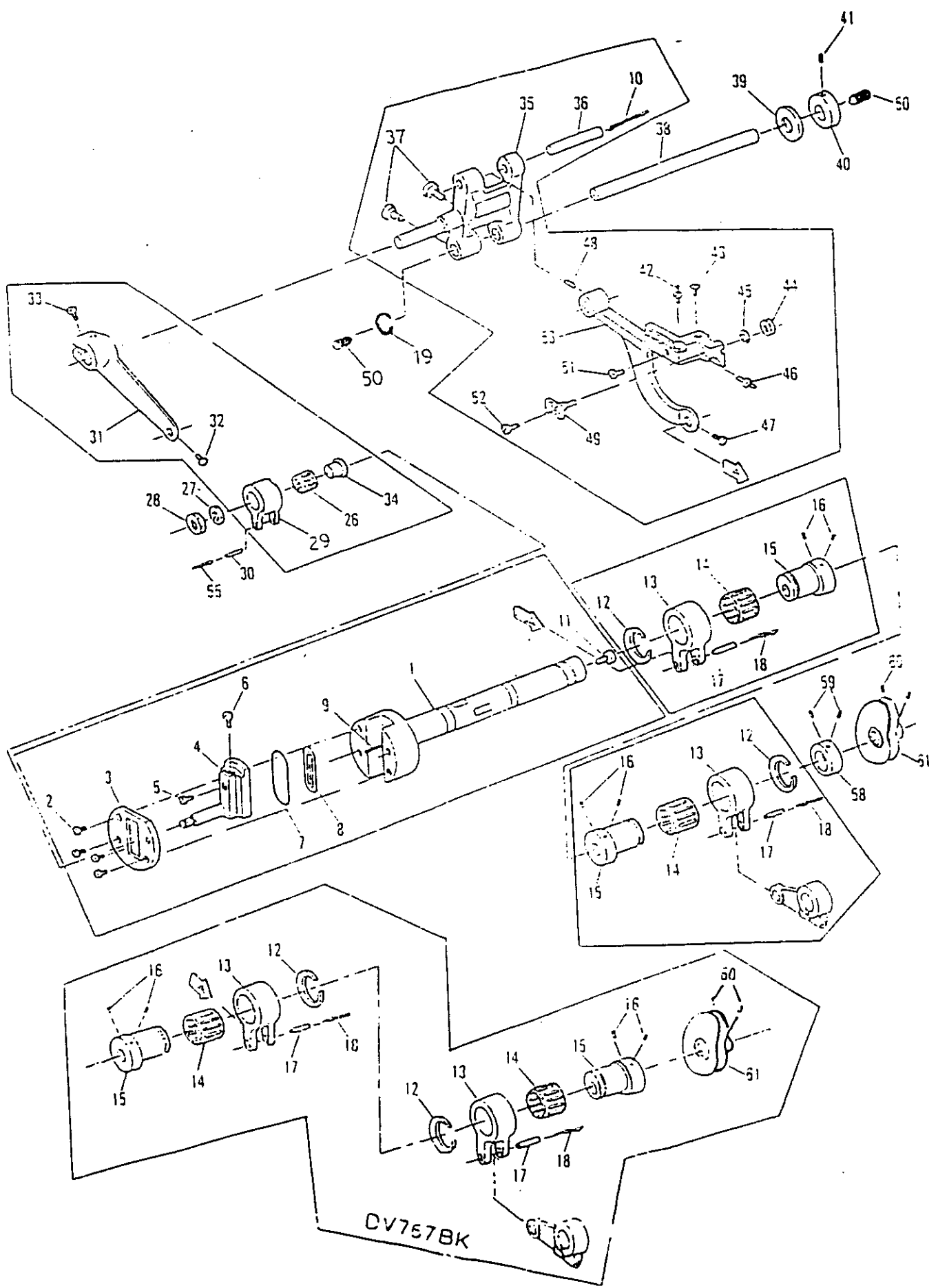
Ref. No.	Part No.	Part Name	Q'ty	Ref. No.	Part No.	Part Name	Q'ty
1	860401	Oil pump body.....	1	20	860420	Packing.....	4
2	860402	Pipe joint.....	1	21	860421	Oil guide screw.....	2
3	860403	Pump mesh.....	1	22	860422	Tube coupling.....	2
4	860404	Mesh clamp plate.....	1	23	860423	Oil pot lid.....	1
5	860405	Screw.....	3	24	860424	O-ring.....	1
6				25	860239	Screw.....	1
7				26	860426	Pipe support.....	1
8	860408	Oil tube joint.....	1	27	860427	Pipe.....	1
9	860409	Pipe joint.....	5	28	860428	Vinyl pipe.....	1
10	B60410	油封		29	860446	Felt.....	1
11	860411	Vinyl pipe.....	1	30	860231	Screw.....	3
12	860412	Vinyl pipe.....	1	31	860431	Pipe.....	1
13	860413	Gear.....	1	32	860432	Support.....	1
14	860149	Screw.....	2	33	860433	Screw.....	1
15	860415	Vinyl pipe.....	1	34	860434	Pipe.....	1
16	860123	Screw.....	3	35	860435	Felt.....	1
17	860409	Pipe joint.....	2	36	860436	Oil flow screw.....	1
18	860418	Fixing screw.....	1	37	860437	Nut.....	1
19	860419	Vinyl pipe.....	1	38	860438	Packing.....	1

5. Needle lever crank



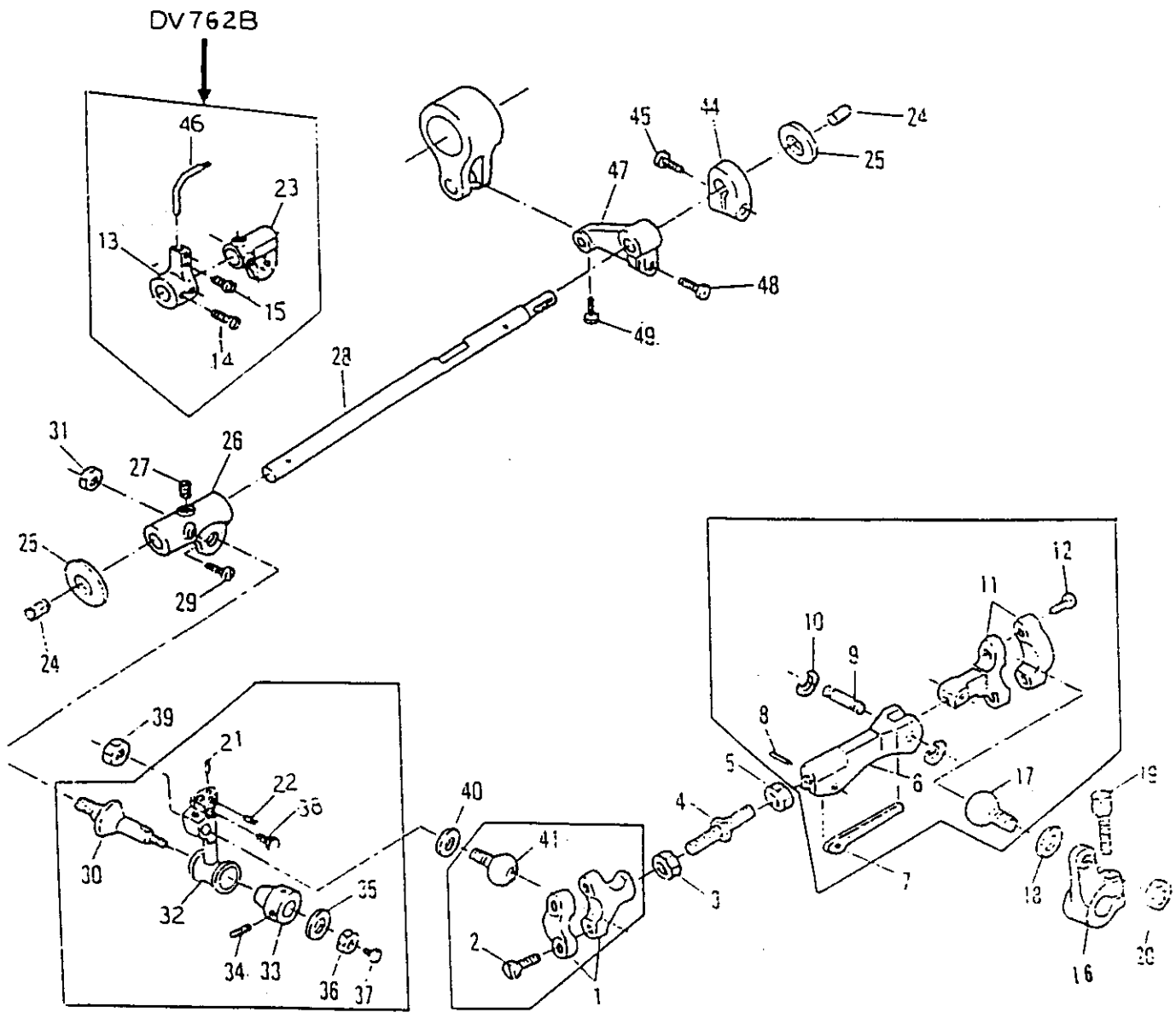
Ref. No.	Part No.	Part Name	Q'ty	Ref. No.	Part No.	Part Name	Q'ty
1	860501	Needle lever	1	33	860533	Pulley	1
2	860305	O-ring	1	34	860534	Screw	2
3	K60503	Needle lever stud	1	35	860305	O-ring	1
4	860504	Needle lever bushing	1	36	860536	Flange	1
5	860505	Needle lever stud bushing	1	37	860123	Screw	3
6	860506	Screw	2	38	860538	Bearing	1
7				39	860539	Screw	2
8	860420	Gasket	1	40	860540	Crank shaft collar	1
9	860509	Screw	1	41	B60541	washer	
10	860510	Screw	1	42			
11	860511	Needle bar connection link	1	43			
12	860512	Needle bar connection link pin	2	44			
13	860446	Felt	2	45			
14	K60514	Needle bar connection	1	46			
15	860515	Screw	1	47	W80761	Joint collar	2
16	860516	Screw	1	48	K60548	Looper driving eccentric	1
17	B60106	Screw		49	860549	Screw	8
18				50	860550	Eccentric guide fork	1
19	860519	Washer	1	51	860551	Screw	1
20	860520	Screw	2	52	860552	Screw	2
21	860521	Needle lever connecting rod	1	53	K60553	Looper driving lever ball joint	1
22	860522	Screw	2	54	B60910	Screw	2
23	860523	Bull joint for connecting rod	1	55	860555	Looper driving connecting rod	1
24	860524	Connecting bar	2	56			
25				57			
26				58			
27	860527	Pin	2	59			
28	K60528	Crank shaft	1	60			
29	860529	Ball-joint for crank shaft	1	61	860561	Looper driving shaft	1
30	860530	Needle roller for crank shaft	28	62	860519	Washer	1
31	860531	Worm gear	1	63	860563	Collar	1
32	860532	Screw	2	64	860564	Screw	2

6. Feed rocker



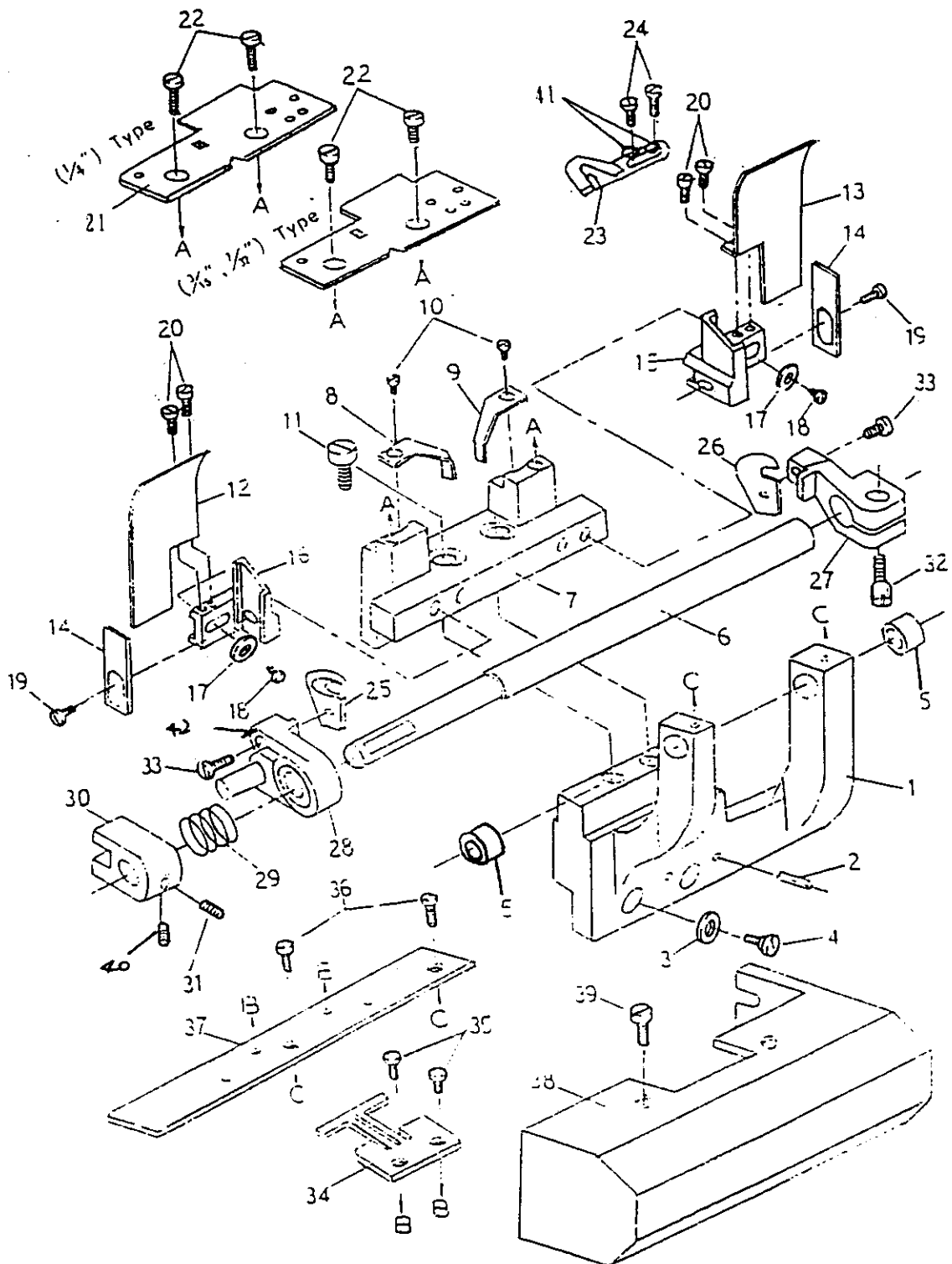
Ref. No.	Part No.	Part Name	Q'ty	Ref. No.	Part No.	Part Name	Q'ty
1	K60601	Main shaft.....	1	32	B60632	Screw.....	1
2	B60138	Screw.....	4	33	B60633	Screw.....	2
3	B60603	Head plate.....	1	34	B60634	Feed crank link roller.....	1
4	B60604	Feed crank adjusting post.....	1	35	B60635	Single feed rocker arm.....	1
5	B60605	Screw.....	1	36	B60636	Feed rocker arm shaft.....	1
6	B60606	Screw.....	1	37	B60106	Screw.....	2
7	B60607	O-ring.....	1	38	B60638	Feed rocker shaft small.....	1
8	B60608	Oil guide.....	1	39	B60639	Washer.....	1
9	B60446	Felt.....	1	40	B60640	Collar.....	1
10	B60446	Felt.....	1	41	B60160	Screw.....	1
11	B60611	Screw.....	1	42	B60642	Screw.....	1
12	B60612	Snap ring.....	2	43	B60229	Screw.....	1
13	B60613	Eccentric link.....	2	44	B60644	Nut.....	1
14	B60614	Bearing.....	2	45	B60645	Washer.....	1
15	B60615	Eccentric 0.9.....	2	46	B60646	Screw.....	1
16	B60564	Screw.....	4	47	B60632	Screw.....	1
17	B60617	Connecting link pin.....	2	48	B60532	Screw.....	1
18	B60446	Felt.....	2	49	B60649	Feed dog holder.....	1
19	B60619	E-ring.....	1	50	B60650	Pin.....	2
20				51	B60651	Screw.....	1
21				52	B60652	Screw.....	1
22				53	K60653	Feed rocker.....	1
23				54			
24				55	B60446	Felt.....	1
25				56			
26	B60626	Bearing.....	1	57			
27	B60627	Washer.....	1	58	B60658	Collar.....	1
28	B60628	Nut.....	1	59	B60659	Screw.....	2
29	B60629	Feed rocker link.....	1	60	B60660	Screw.....	2
30	B60512	Feed rocker link pin.....	1	61	B60661	Looper thread take-up disc.....	1
31	B60631	Feed rocker arm.....	1				

7. Looper



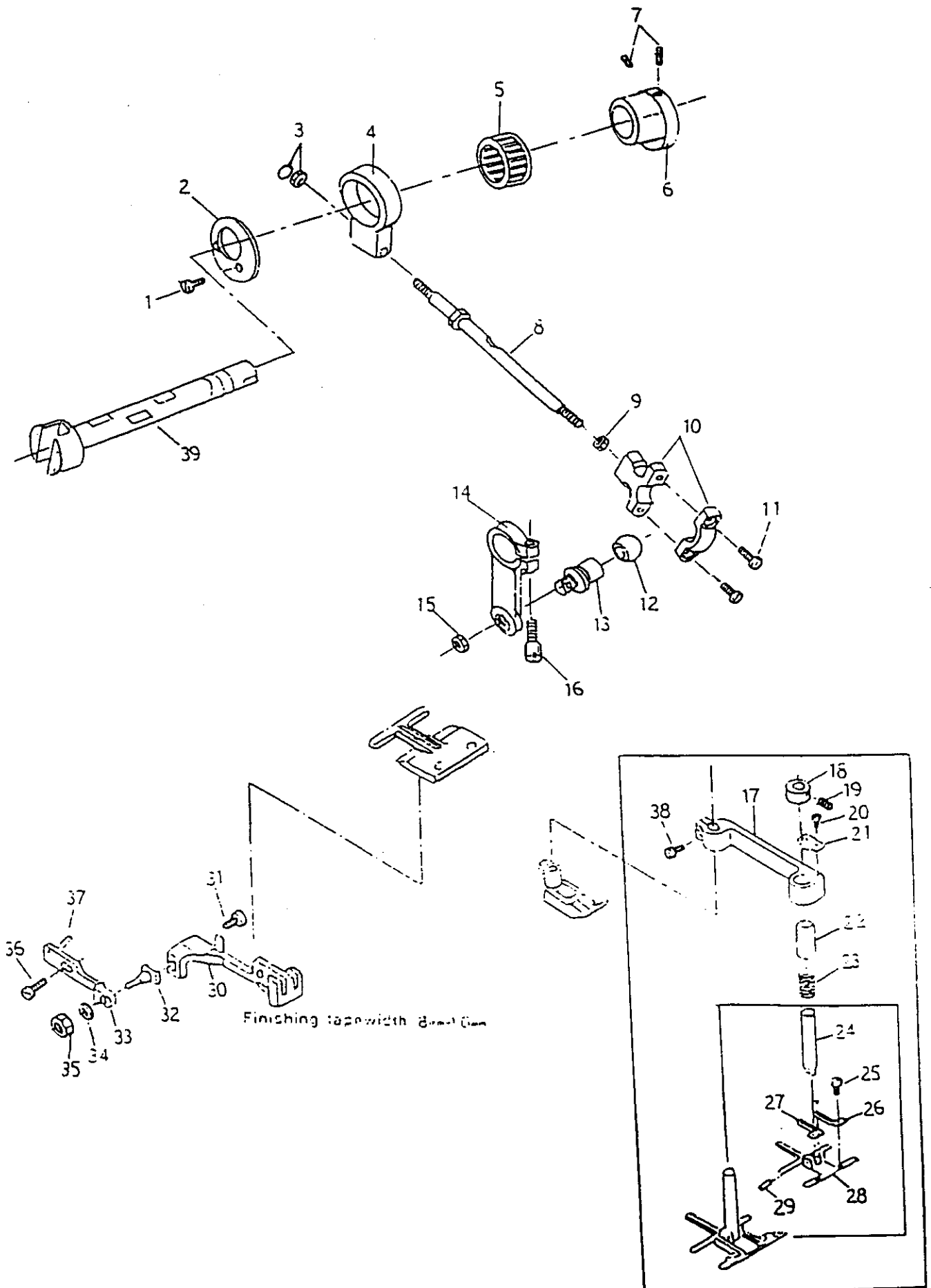
Ref. No.	Part No.	Part Name	Q'ty	Ref. No.	Part No.	Part Name	Q'ty
1	860701	Looper rocker ball joint.....	1	26	860726	Looper rocker.....	1
2	860702	Screw.....	2	27	860532	Screw.....	1
3	860628	Nut.....	1	28	860728	Looper holder shaft.....	1
4	860704	Connecting bar.....	1	29	860729	Screw.....	1
5	860213	Nut.....	1	30	860730	Looper rocker tapered pin.....	1
6	860706	Looper driving connecting link.....	1	31	860644	Nut.....	1
7	860707	Plate spring.....	1	32	K60732	Looper holder.....	1
8	860708	Pin.....	1	33	860733	Tapered pin bushing.....	1
9	860709	Shaft.....	1	34	860149	Screw.....	2
10	860710	Snap ring.....	2	35	860735	Washer.....	1
11	860711	Looper driving ball joint.....	1	36	860644	Nut.....	1
12	860702	Screw.....	2	37	860132	Screw.....	1
13	W80910	Needle bar guide bracket.....	1	38	860738	Screw.....	2
14	860539	Screw.....	2	39	860213	Nut.....	1
15	860241	Screw.....	2	40	860718	Washer.....	1
16	K60716	Looper driving lever.....	1	41	860717	Looper driving connecting rod.....	1
17	860717	Looper driving connecting rod.....	1	42			
18	860718	Washer.....	1	43			
19	860719	Screw.....	1	44	860744	Looper holder shaft collar.....	1
20	860213	Nut.....	1	45	860123	Screw.....	1
21	861316	Pin.....	1	46	W80912	Needle bar guide.....	1
22	860241	Screw.....	1	47	860747	Looper avoid lever.....	1
23	W80914	Looper rocker.....	1	48	860516	Screw.....	1
24	860650	Screw.....	2	49	860632	Screw.....	1
25	860639	Washer.....	2				

8. Front knife mechanism



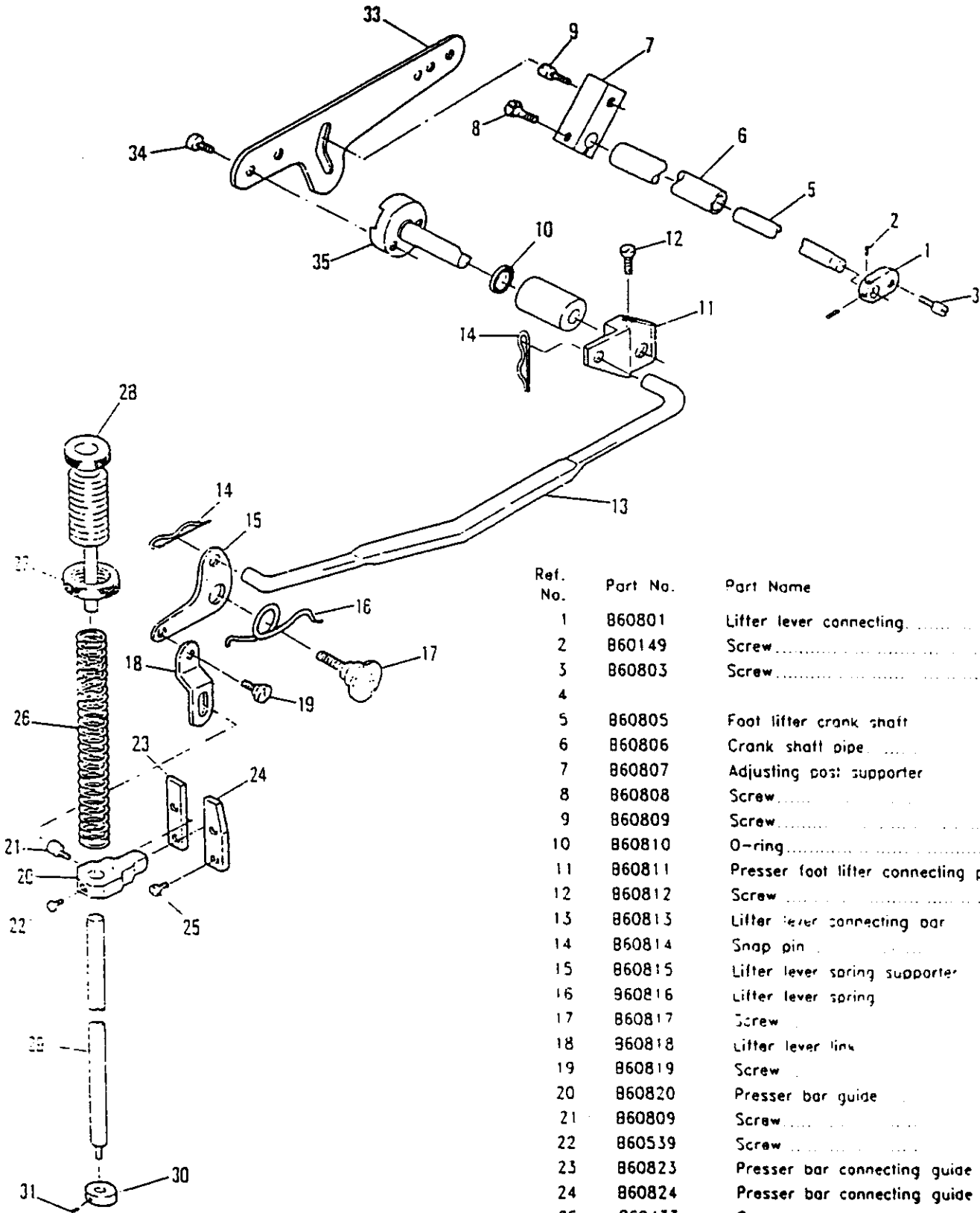
Ref. No.	Part No.	Part Name	Qty	Ref. No.	Part No.	Part Name	Qty
1	K60801	Base bracket.....	1	21	K60821	Installation auxiliary plate rear.....	1
2	K60802	Knocker pin.....	2	22	B60123	Screw.....	2
3	B60111	Washer.....	2	23	K60823	Blade 10.12mm.....	1
4	B60808	Screw.....	2	24	B60651	Screw.....	2
5	K60805	Bushing.....	2	25	K60825	Upper knife-L.....	1
6	K60806	Shaft.....	1	26	K60826	Upper knife-R.....	1
7	K60807	Lower knife mount bracket.....	1	27	K60827	Upper knife bracket-R.....	1
8	K60808	Support feed dog guide-L.....	1	28	K60828	Upper knife bracket-L.....	1
9	K60809	Support feed dog guide-R.....	1	29	K60829	Spring.....	1
10	B60132	Screw.....	2	30	K60830	Upper knife joint bracket.....	1
11	K60811	Screw.....	2	31	B60149	Screw.....	2
12	K60812	Chip guide cover-L.....	1	32	B60516	Screw.....	1
13	K60813	Chip guide cover-R.....	1	33	K60833	Screw.....	2
14	K60814	Lower knife.....	2	34	K60834	Auxiliary plate.....	1
15	K60815	Lower knife holder-R.....	1	35	B80157	Screw.....	2
16	K60816	Lower knife holder-L.....	1	36	B60123	Screw.....	2
17	B60105	Washer.....	2	37	K60837	Supporting plate.....	1
18	B60107	Screw.....	2	38	K60838	Guide cover.....	1
19	B60106	Screw.....	2	39	B80157	Screw.....	2
20	B60241	Screw.....	2	40	K60840	SCREW	
				41	K60841	washer.....	2
				42	K60842	pin	

9. Front knife mechanism



Ref. No.	Part No.	Part Name	Qty	Ref. No.	Part No.	Part Name	Qty
1	K60901	Screw.....	2	21	K60921	Rotary dog.....	1
2	K60902	Eccentric plate.....	1	22	K60922	Bushing.....	1
3	860213	Nut.....	2	23	K60923	Spring.....	1
4	K60904	Eccentric link.....	1	24	K60924	Presser foot shaft.....	1
5	K60905	Bearing.....	1	25	881140	Screw.....	2
6	K60906	Eccentric.....	1	26	K60926	Guide-R.....	1
7	860969	Screw.....	2	27	K60927	Guide-L.....	1
8	K60908	Connecting bar.....	1	28	K60928	Support presser foot bottom.....	1
9	860213	Nut.....	1	29	K60929	Shank pin.....	1
10	861834	Connecting rod.....	1	30	K60930	Support feed dog.....	1
11	860702	Screw.....	2	31	860652	Screw.....	1
12	K60912	Joint ball.....	1	32	B60649	Feed holder.....	1
13	K60913	Connecting rod pin.....	1	33	K60933	Supporting feed dog bracket.....	1
14	K60914	Upper knife inter lock lever.....	1	34	860645	Washer.....	1
15	860213	Nut.....	1	35	860644	Nut.....	1
16	860516	Screw.....	1	36	860123	Screw.....	1
17	K60917	Support bracket.....	1	37	861035	Screw.....	1
18	860830	Collar.....	1	38	862027	Screw.....	1
19	860149	Screw.....	2	39	K60939	Shaft.....	1
20	860231	Screw.....	2				

10. Foot lifter components

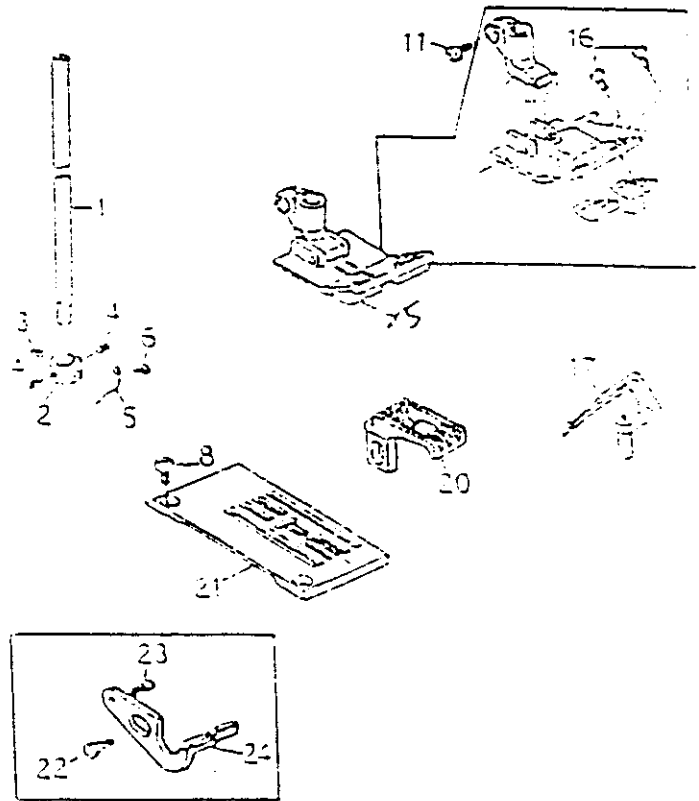
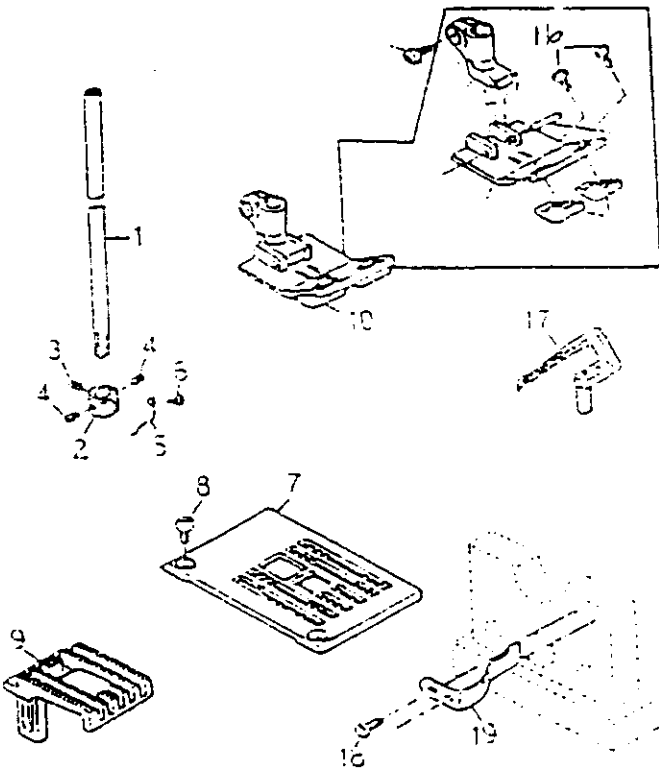


Ref. No.	Part No.	Part Name	Qty
1	860801	Lifter lever connecting	1
2	860149	Screw	2
3	860803	Screw	1
4			
5	860805	Foot lifter crank shaft	1
6	860806	Crank shaft pipe	1
7	860807	Adjusting post supporter	1
8	860808	Screw	1
9	860809	Screw	1
10	860810	O-ring	1
11	860811	Presser foot lifter connecting plate	1
12	860812	Screw	1
13	860813	Lifter lever connecting bar	1
14	860814	Snap pin	2
15	860815	Lifter lever spring supporter	1
16	960816	Lifter lever spring	1
17	860817	Screw	1
18	960818	Lifter lever link	1
19	860819	Screw	1
20	860820	Presser bar guide	1
21	860809	Screw	1
22	860539	Screw	1
23	860823	Presser bar connecting guide left	1
24	860824	Presser bar connecting guide right	1
25	860433	Screw	4
26	860826	Presser bar spring	1
27	860827	Nut	1
28	860828	Presser bar screw	1
29	860829	Presser bar (small)	1
30	860830	Collar	1
31	860149	Screw	1
32			
33	860833	Presser foot lifter lever	1
34	860123	Screw	2
35	860835	Presser foot lifter lever post	1

11. Gauge parts

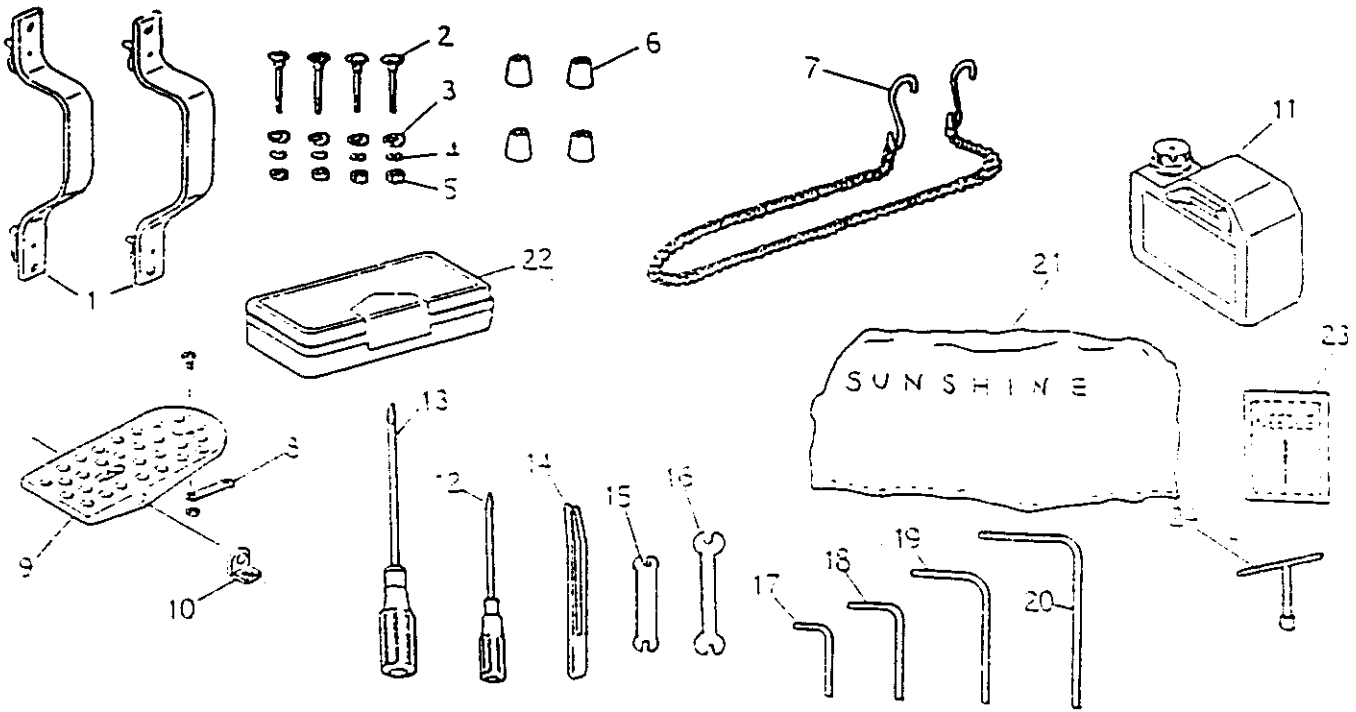
V762BK

DV762S



Ref. No.	Part No.	Part Name	Qty
1	K61101	Needle bar 1/4"	1
2	K61102	Needle clamp	1
3	K61103	Screw	1
4	K61104	Screw	2
5	K61105	Needle thread guide	1
6	K61106	Screw	1
7	K61107	Needle plate 1/4"	1
8	B60229	Screw	2
9	K61109	Feed dog 1/4"	1
10	K61110	Presser foot 1/4"	1
11		Screw	1
12		Presser foot bottom	1
13		Presser foot shank	1
14		Hinge screw	1
15		Guide	2
16	B60239	Screw	2
17	19-713	Looper	1
18	B60106	Screw	1
19	K61119	Needle guard	1
20	K61120	Feed dog	1
21	K61121	Needle plate 1/4"	1
22	B60651	Screw	1
23	B61035	Screw	1
24	K61124	Needle guard	1
25	K61125		

12. Accessories



Ref. No.	Part No.	Part Name	Q'ty
1	B62420	Machine mount bracket	2
2	B62422	Screw	4
3	B62423	Washer M8	4
4	B62424	Spring washer	4
5	B62425	Nut	4
6	B62426	Cushion rubber	4
7	B62428	Tie-rod joint	1
8	B62432	Coupling	1
9	B62433	Pedal	1
10	B62434	Pedal stopper	2
11	B62435	Oil	1
12	B62436	Screw driver small	1
13	B62437	Screw driver large	1
14	B62438	Tweezers	1
15	B62439	Spanner small	1
16	B62440	Spanner large	1
17	B62441	Wrench A	1
18	B62442	Wrench B	1
19	B62443	Wrench C	1
20	B62444	Wrench D	1
21	B62445	Machine cover	1
22	B62446	Accessory box	1
23	B62447	Needle	1
24	B62448	Wrench T	1

13. Table stand installation diagram

