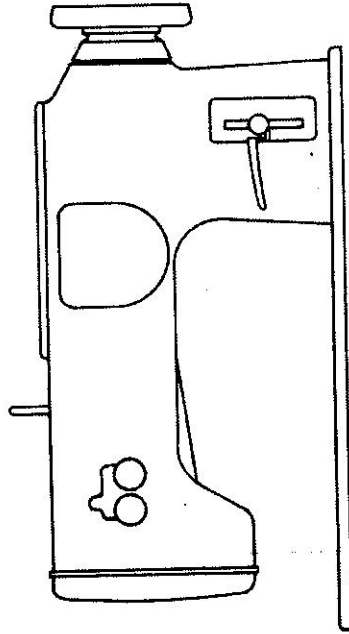


GLOBAL ZZ 217
GLOBAL ZZ 217-3S
GLOBAL ZZ 217-P-3S



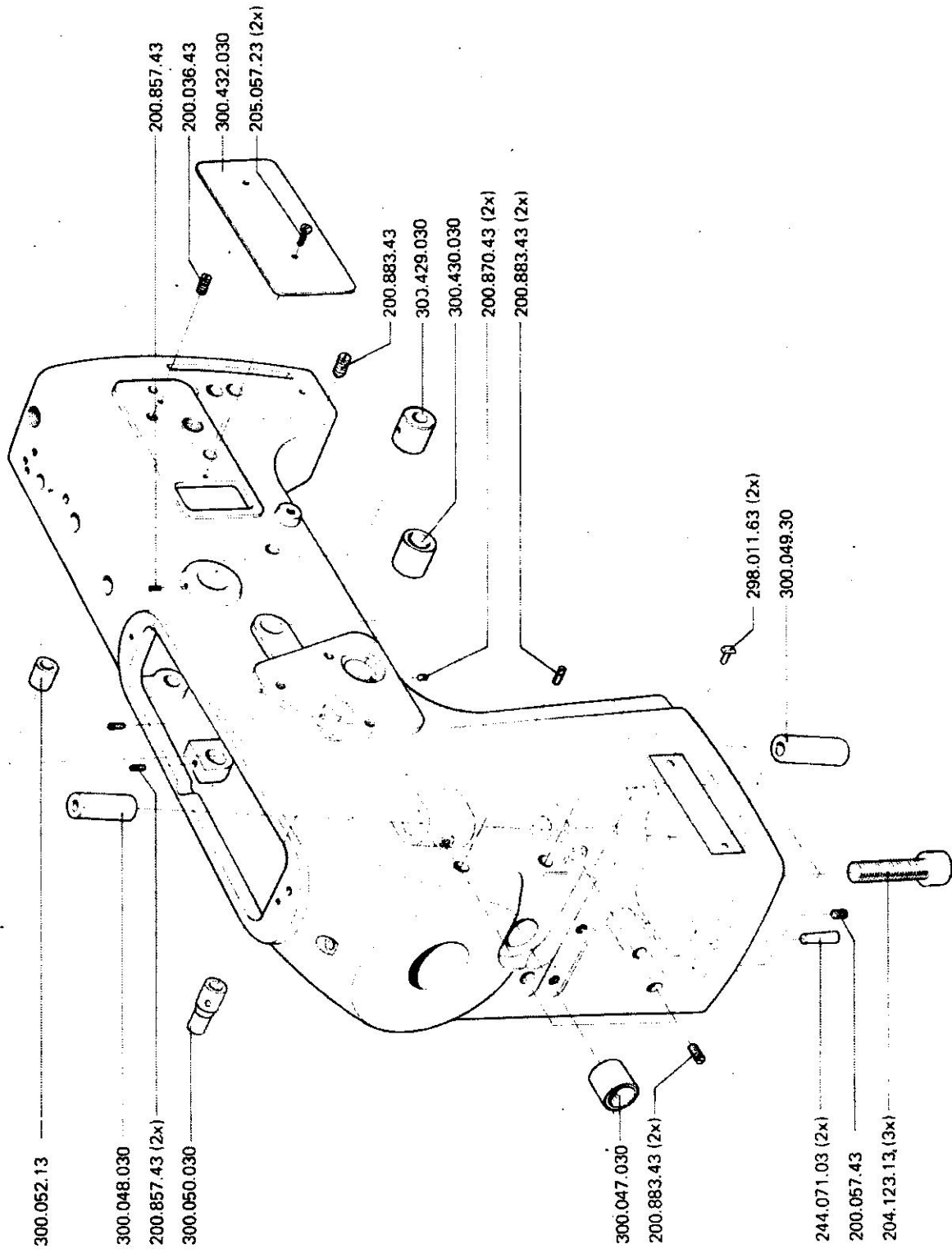
PARTS BOOK

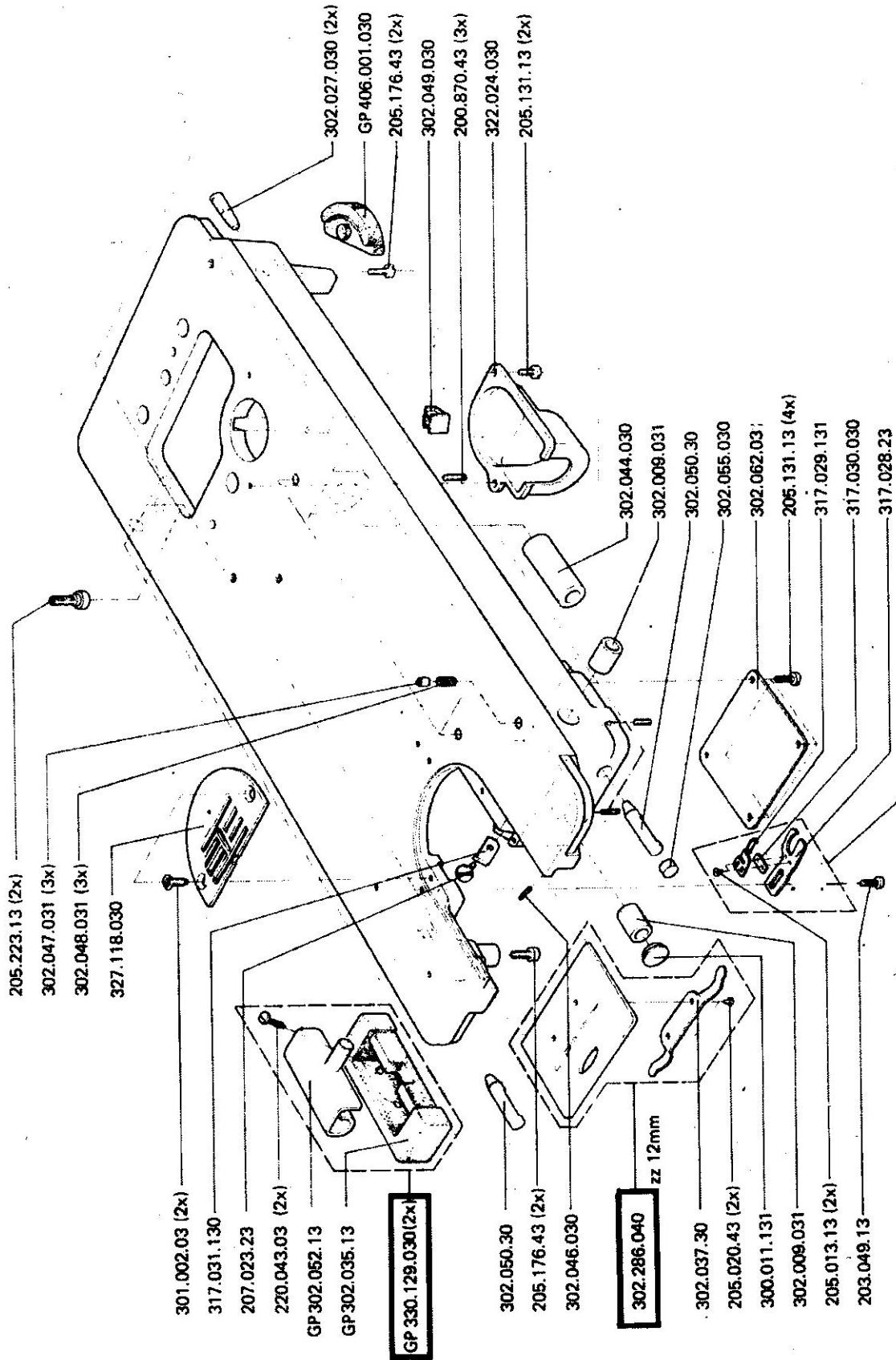
Inhaltsverzeichnis / Table des matières / Index

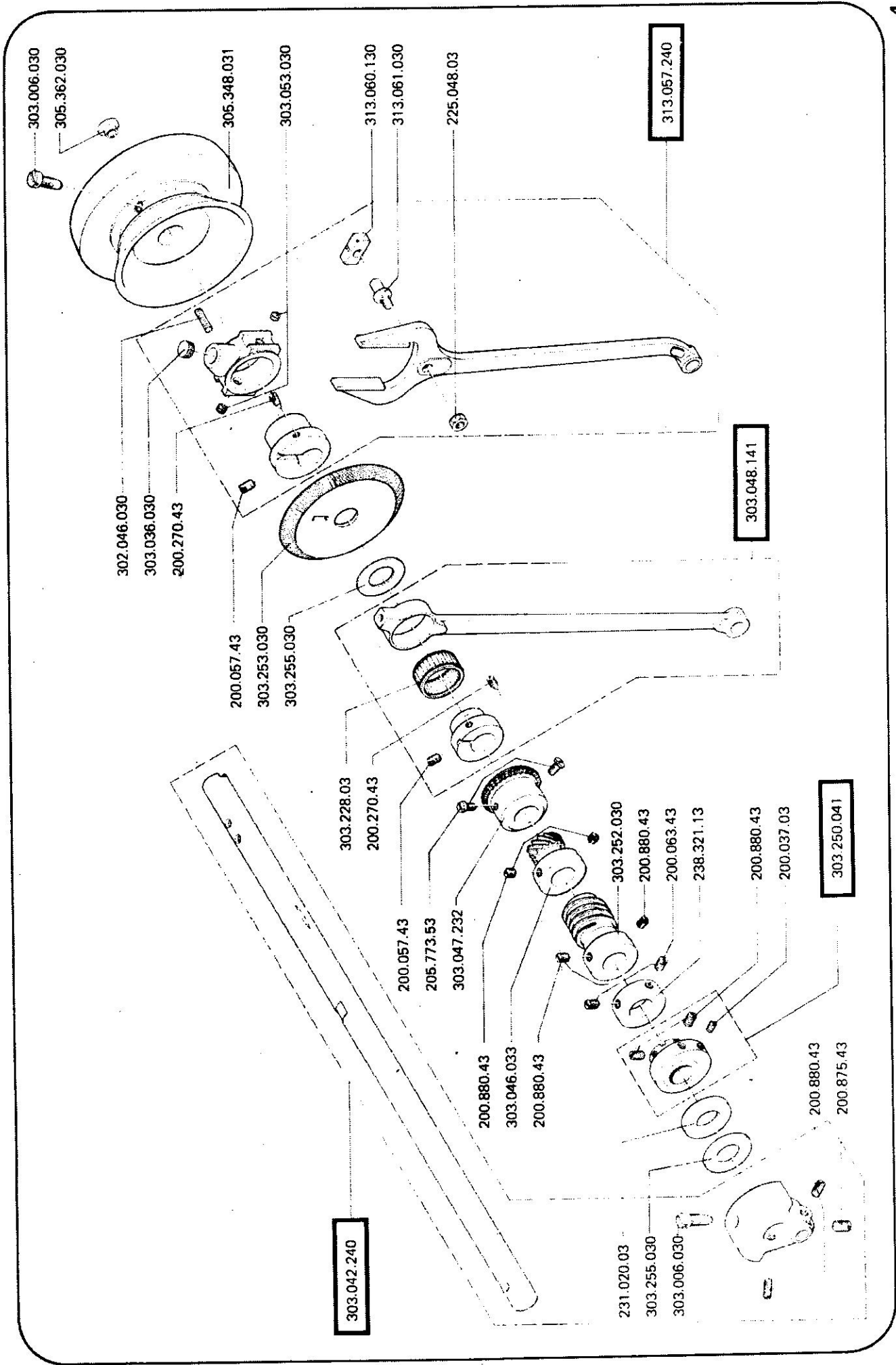
	Seite / Page
1. Basismaschine	
Ständer	1 - 2
Grundplatte	3
Ständerwelle	4
Greiferantrieb	5
Stichsteller	6
Transporteureinrichtung	7
Nadeltrieb + Fadenhebel	8
Zickzack - Trieb	9
Stoffdrücker	10
Knielüftung	11
Fadenspannung	12
Greifer	13
Spuler	14
Zubehör	15 - 16
Nutz - + Zierstichautomatik	17
Puller	18
Machine de base	
Bras supérieur	
Plateau de base	
Arbre du bras	
Actionnement du crochet	
Règle - points	
Avancement - étoffe	
Commande de la barre d'aiguille	
Mécanisme zizag	
Presse étoffe	
Genouillère	
Tension du fil	
Corps du crochet	
Devidoire	
Accessoires	
Automatique pour points utiles et décoratifs	
Puller	
Basic machine	
Upper arm	
Base plate	
Arm shaft	
Hook driving mechanism	
Stitch regulator	
Transport mechanism	
Needle bar drive + thread take up lever	
Zigzag mechanism	
Presserbar mechanism	
Knee lifter	
Thread tension	
Hook	
Bobbin winder	
Accessories	
Automatic for utility and decorative stitches	
Puller	

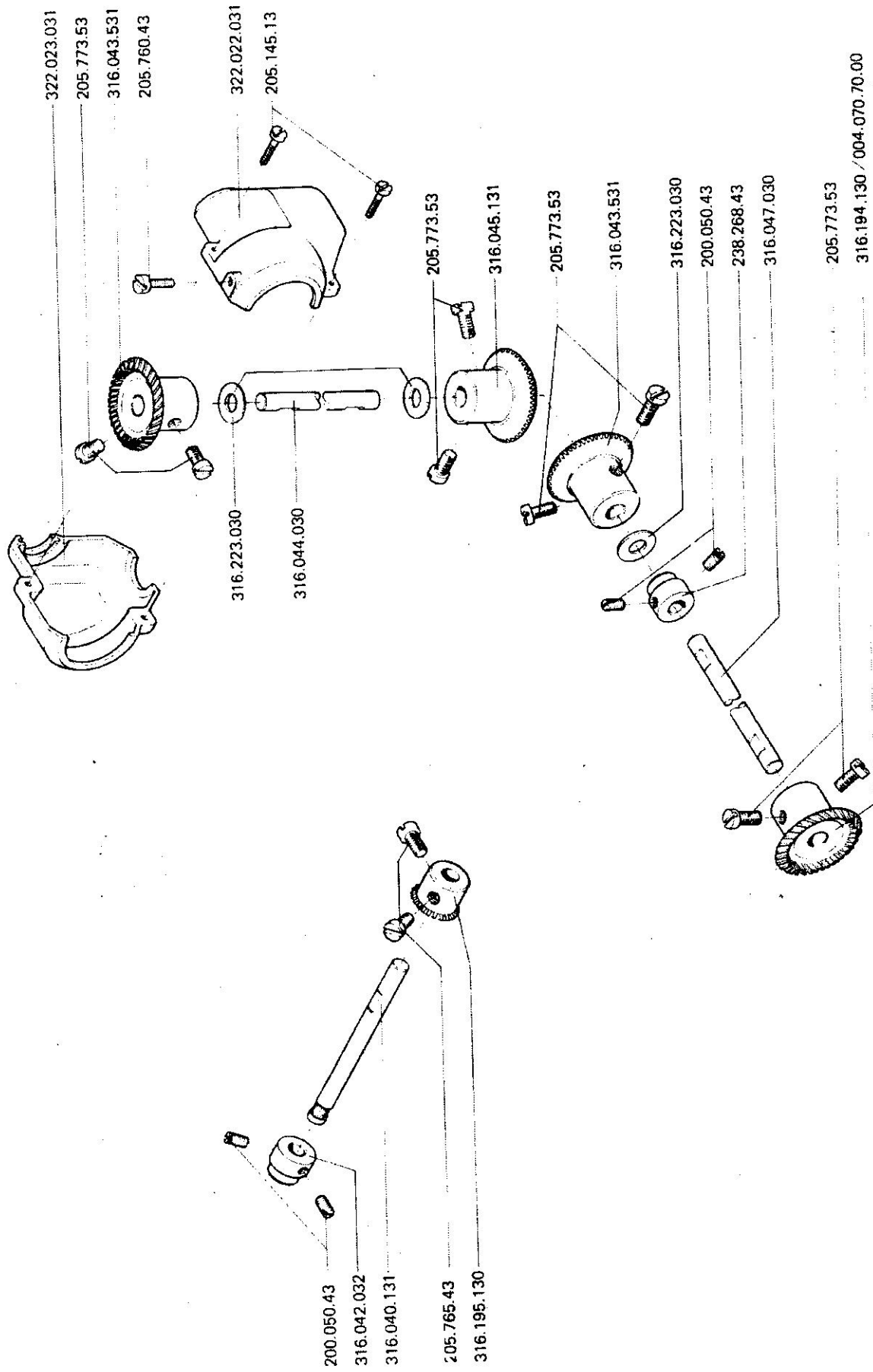
Inhaltsverzeichnis / Table des matières / Index

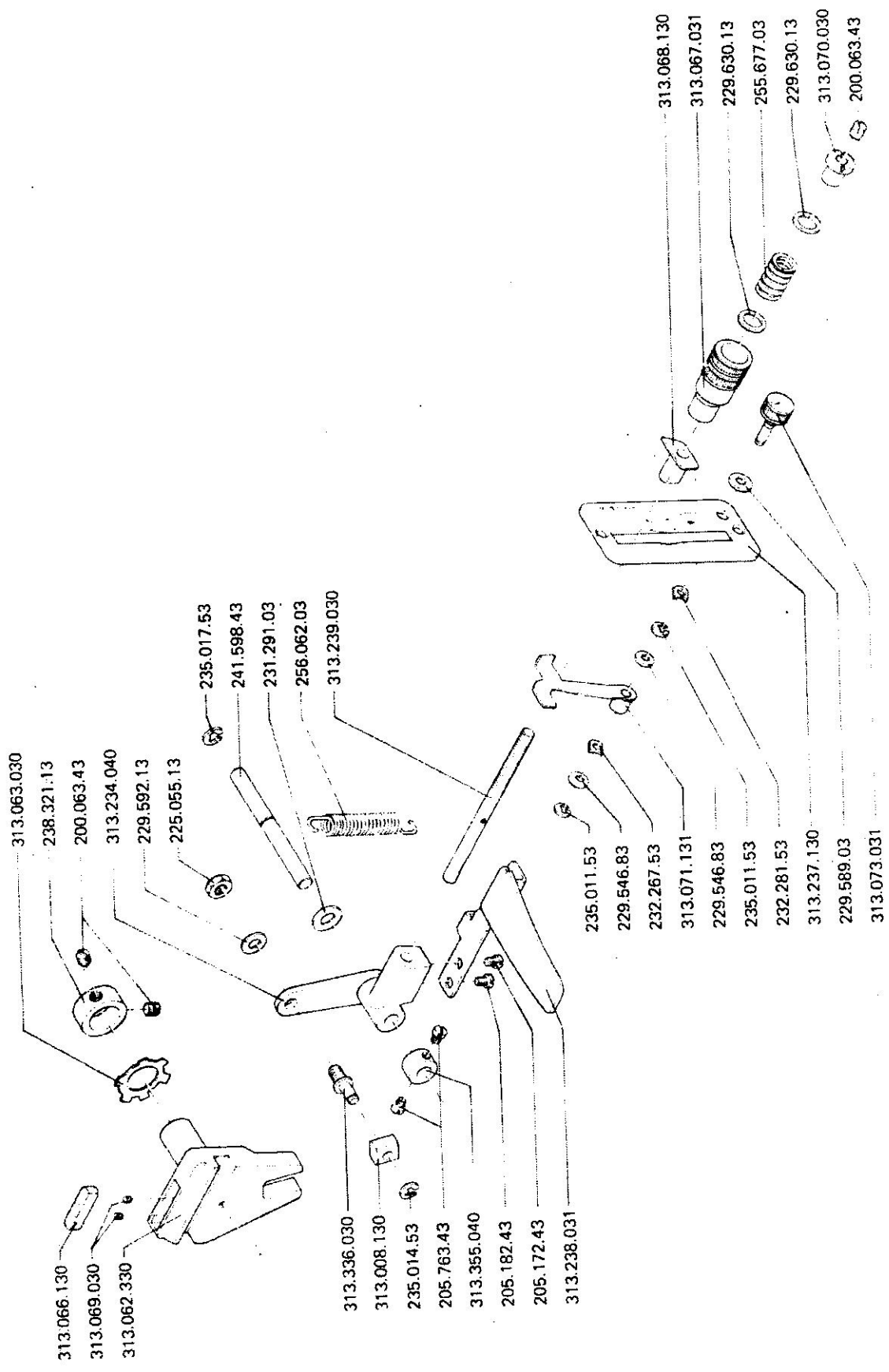
		Seite / Page
1. Basismaschine	Machine de base	
Ständer	Bras supérieur	1 - 2
Grundplatte	Plateau de base	3
Ständerwelle	Arbre du bras	4
Greiferantrieb	Actionnement du crochet	5
Stichteller	Règle - points	6
Transporteureinrichtung	Avancement - étoffe	7
Nadeltrieb + Fadenhebel	Commande de la barre d'aiguille	8
Zickzack - Trieb	Mécanisme zigzag	9
Stoffrücken	Presse étoffe	10
Knielüftung	Ganouillère	11
Fadenspannung	Tension du fil	12
Greifer	Corps du crochet	13
Spüler	Devidoire	14
Zubehör	Accessoires	15 - 16
Nutz - + Zierstichautomatik	Automatique pour points utiles et décoratifs	17
Puller	Puller	18
	Basic machine	
	Upper arm	
	Base plate	
	Arm shaft	
	Hook driving mechanism	
	Stitch regulator	
	Transport mechanism	
	Needle bar drive + thread take up lever	
	Zigzag mechanism	
	Presserbar mechanism	
	Knee lifter	
	Thread tension	
	Hook	
	Bobbin winder	
	Accessories	
	Automatic for utility and decorative stitches	
	Puller	











313.066.130
 313.069.030
 313.062.330

313.063.030
 238.321.13
 200.063.43
 313.234.040
 229.592.13
 225.055.13

235.017.53
 241.598.43
 231.291.03
 256.062.03
 313.239.030

313.336.030
 313.008.130
 235.014.53
 205.763.43
 313.355.040
 205.182.43
 205.172.43
 313.238.031

235.011.53
 229.546.83
 232.267.53
 313.071.131
 229.546.83
 235.011.53
 232.281.53
 313.237.130
 229.589.03
 313.073.031

313.068.130
 313.067.031
 229.630.13
 255.677.03
 229.630.13
 313.070.030
 200.063.43

- 313.088.031
- 235.020.53
- 229.618.13
- 313.087.032
- 205.172.23
- 205.182.43
- 313.085.030
- 313.084.130

- 205.182.43
- 205.172.23
- 313.087.032
- 229.618.13
- 235.020.53
- 313.088.031
- 313.085.030

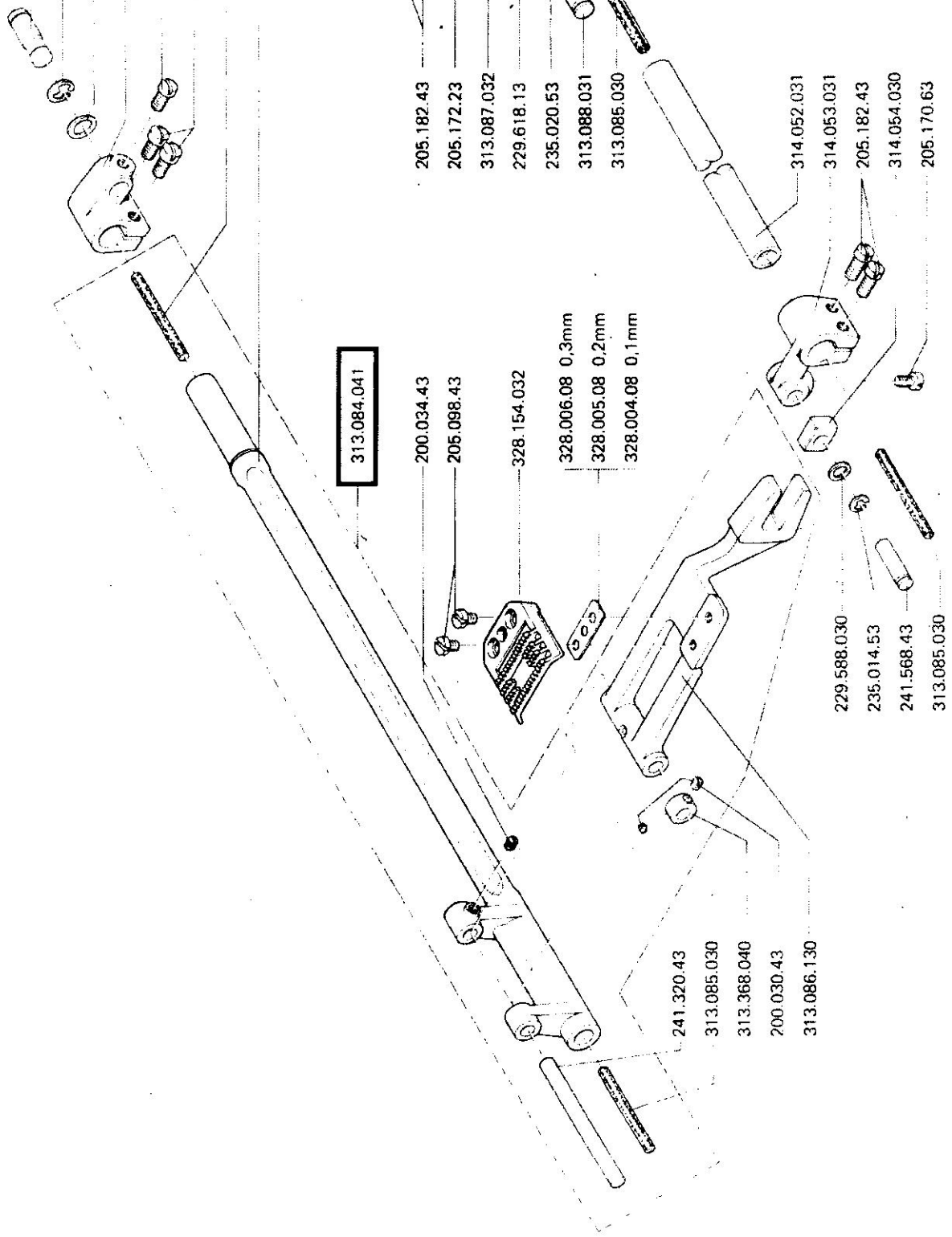
- 314.052.031
- 314.053.031
- 205.182.43
- 314.054.030
- 205.170.63

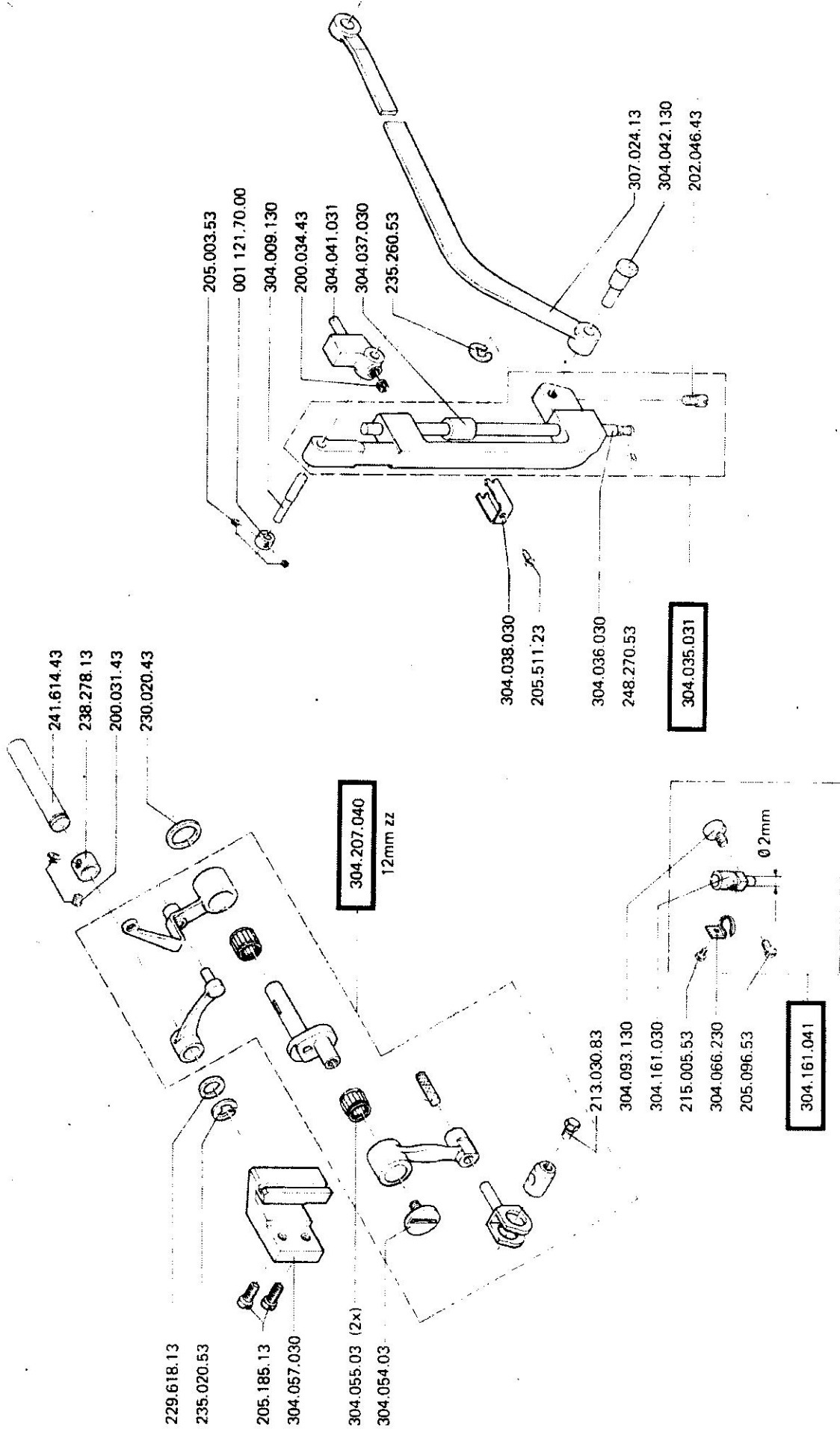
313.084.041

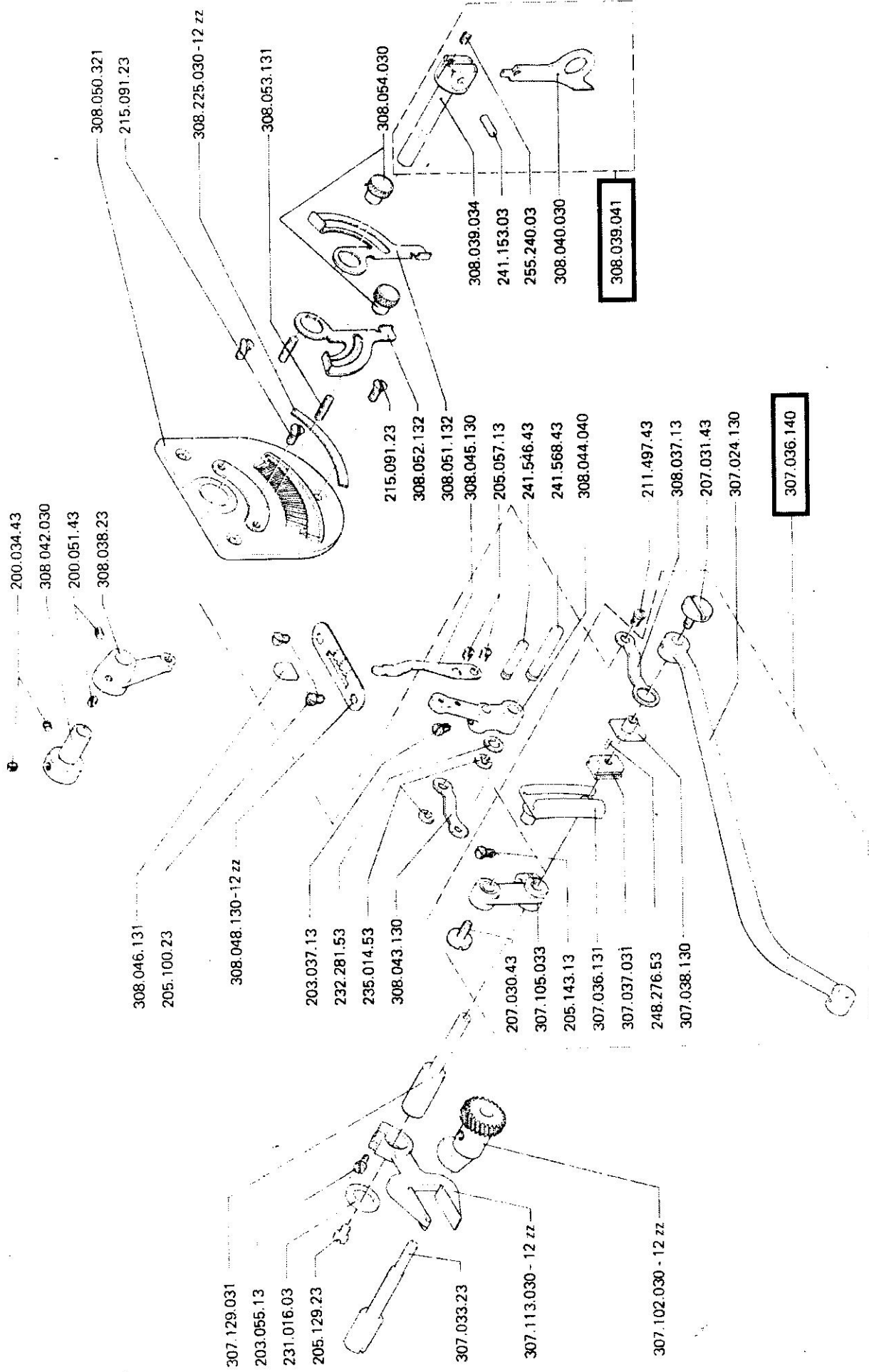
- 200.034.43
- 205.098.43
- 328.154.032
- 328.006.08 0,3mm
- 328.005.08 0,2mm
- 328.004.08 0,1mm

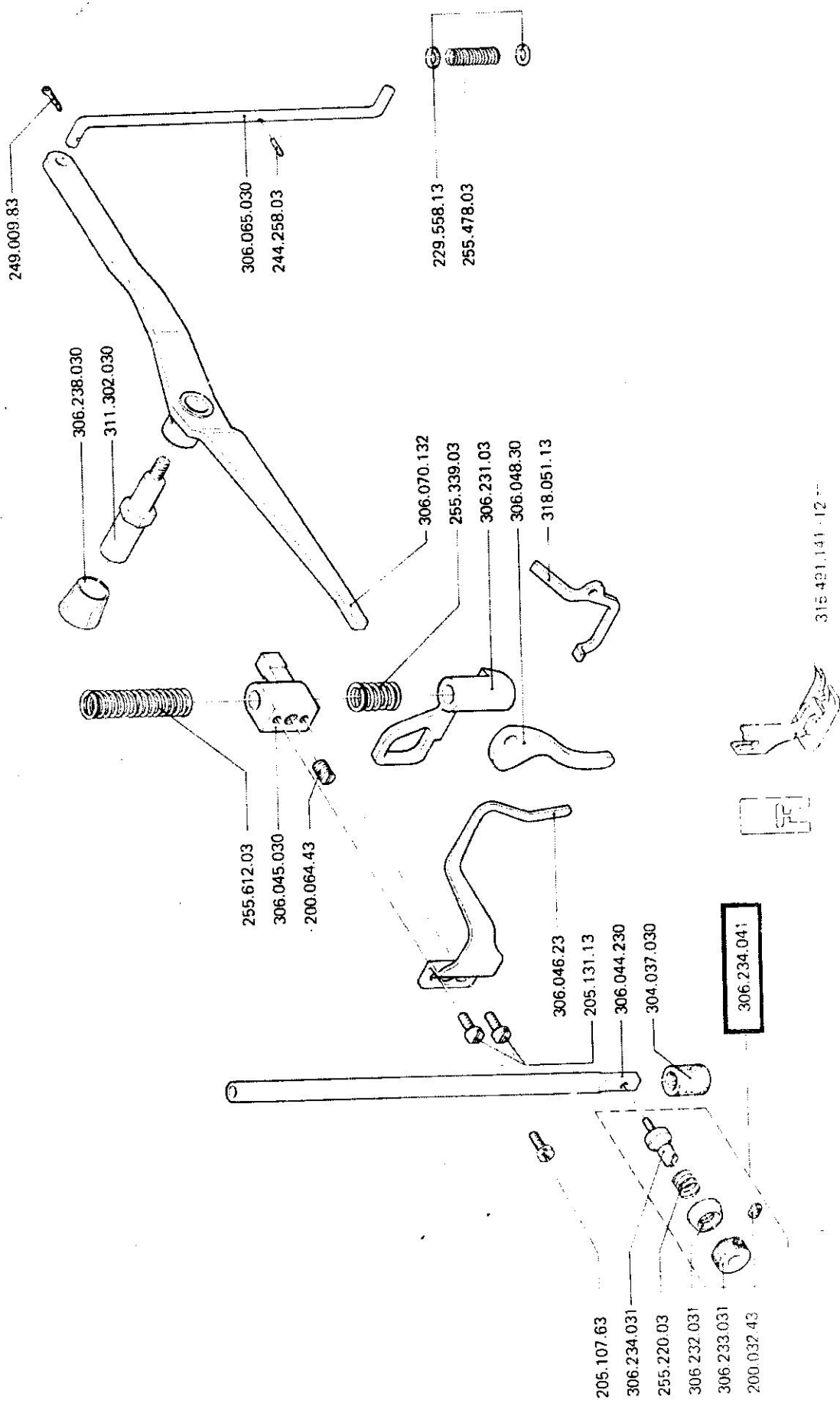
- 229.588.030
- 235.014.53
- 241.568.43
- 313.085.030

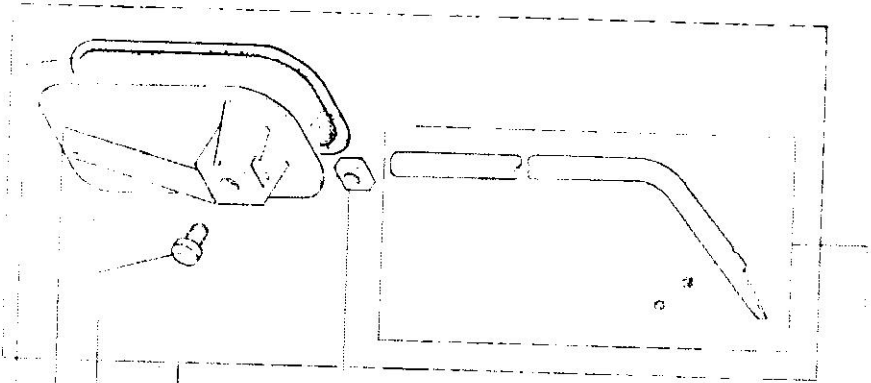
- 241.320.43
- 313.085.030
- 313.368.040
- 200.030.43
- 313.086.130



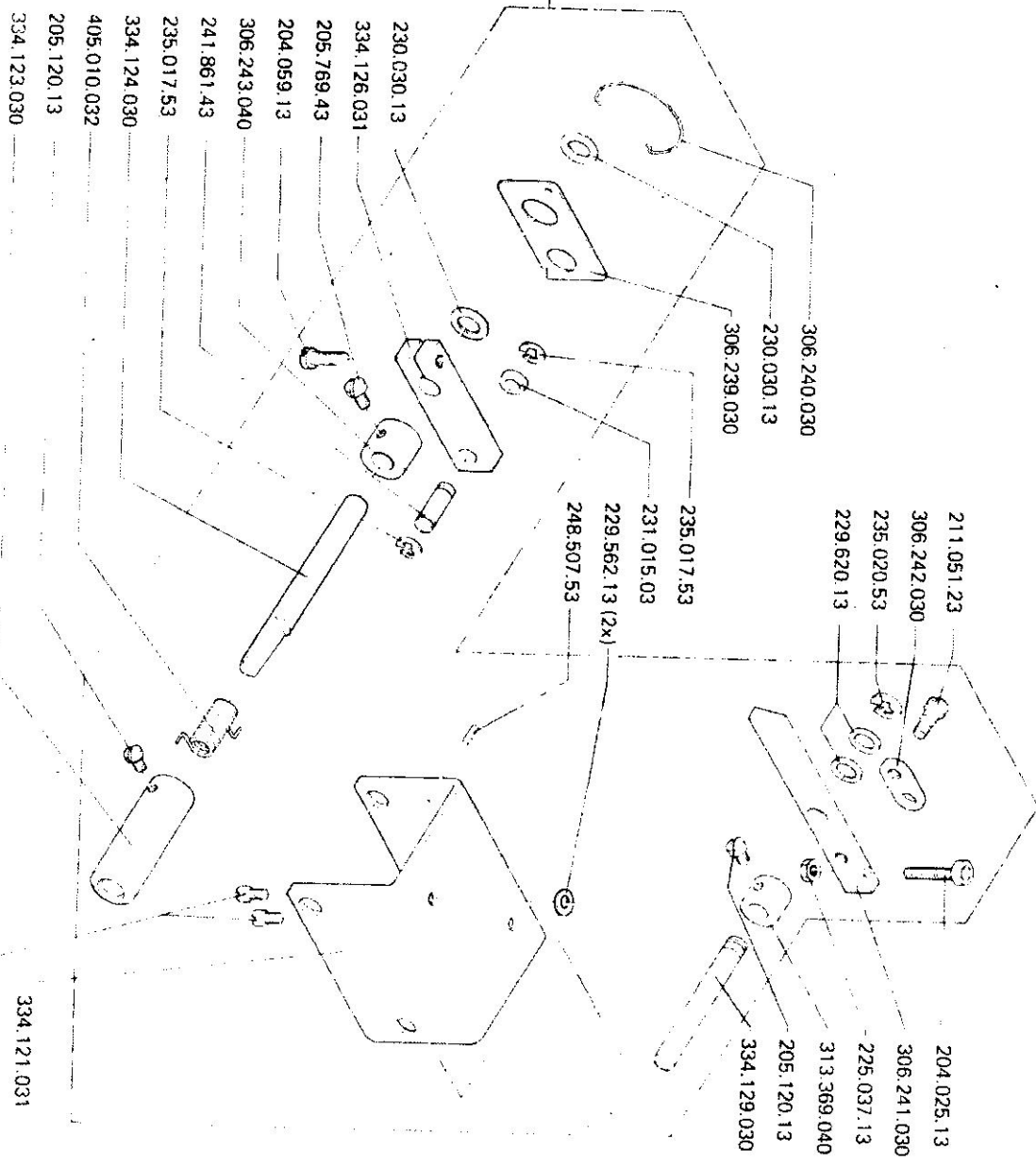




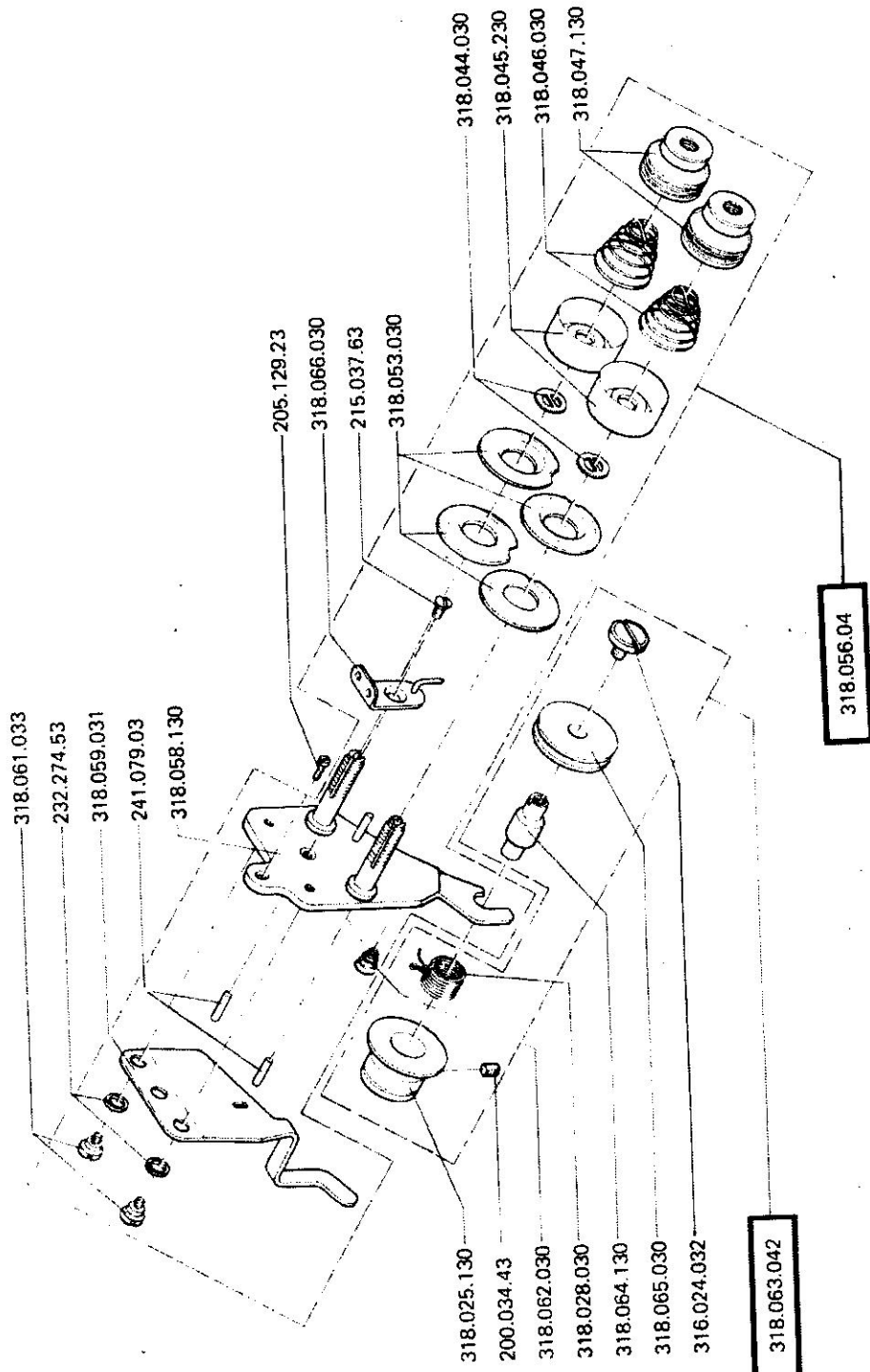




- 334.122.030
- 306.236.04
- 226.850.13
- 334.122.04
- 213.042.83
- 405.004.131
- 306.237.030

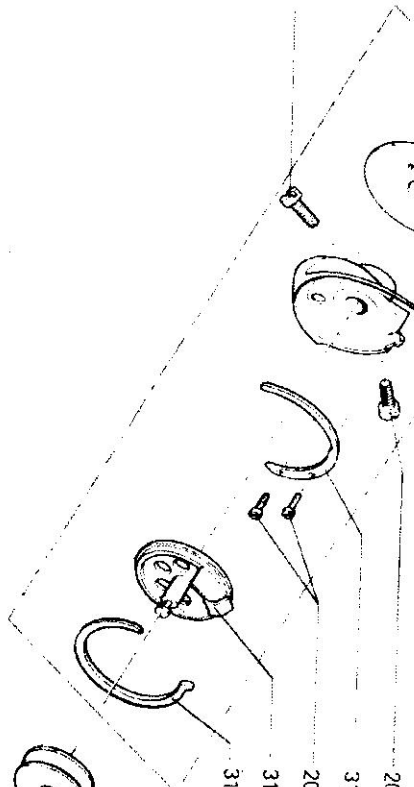


- 230.030.13
- 334.126.031
- 205.769.43
- 204.059.13
- 306.243.040
- 241.861.43
- 235.017.53
- 334.124.030
- 405.010.032
- 205.120.13
- 334.123.030
- 306.240.030
- 230.030.13
- 306.239.030
- 235.017.53
- 231.015.03
- 229.562.13 (2x)
- 248.507.53
- 211.051.23
- 306.242.030
- 235.020.53
- 229.620.13
- 204.025.13
- 306.241.030
- 225.037.13
- 313.369.040
- 205.120.13
- 334.129.030
- 334.121.031
- 203.070.13



317.009.245

206.760.53



206.760.53

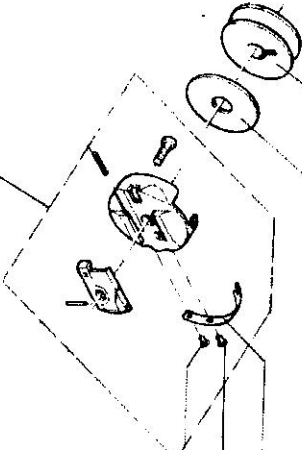
317.015.233

205.000.03

317.014.136

317.027.031

317.016.14



330.026.03

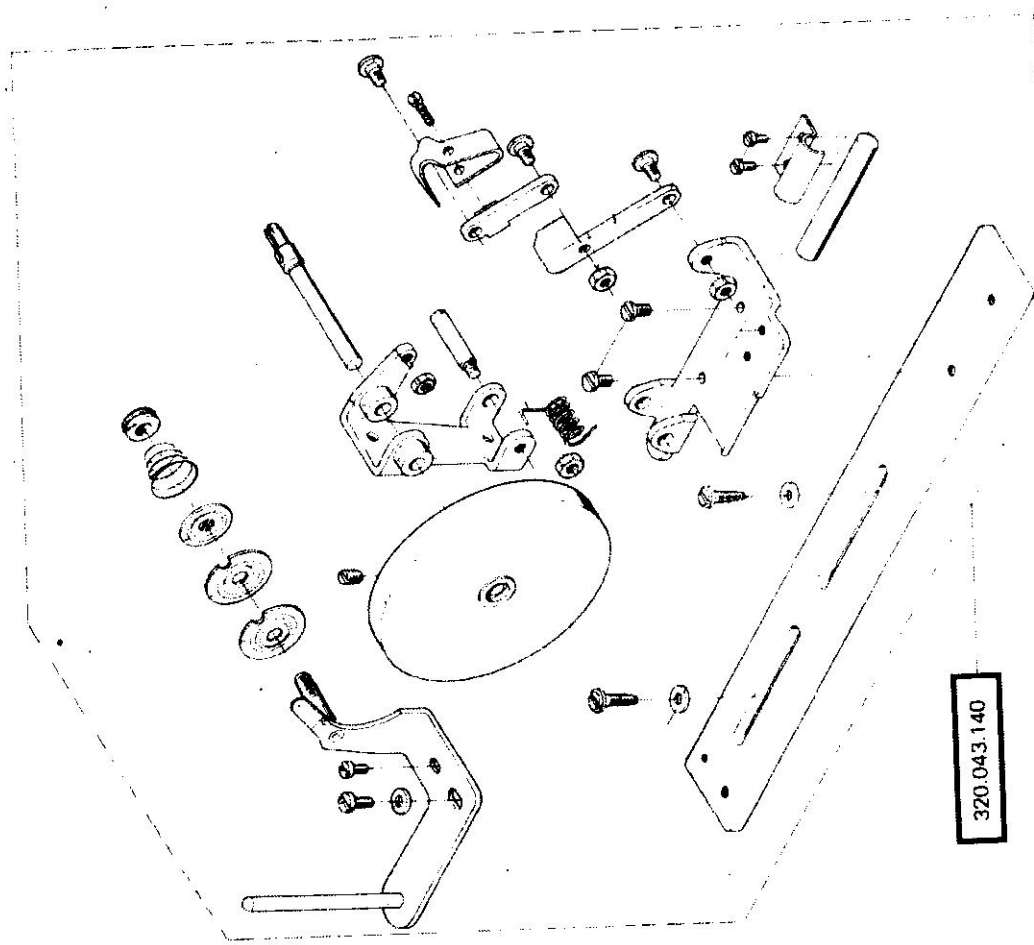
317.074.030

317.017.031

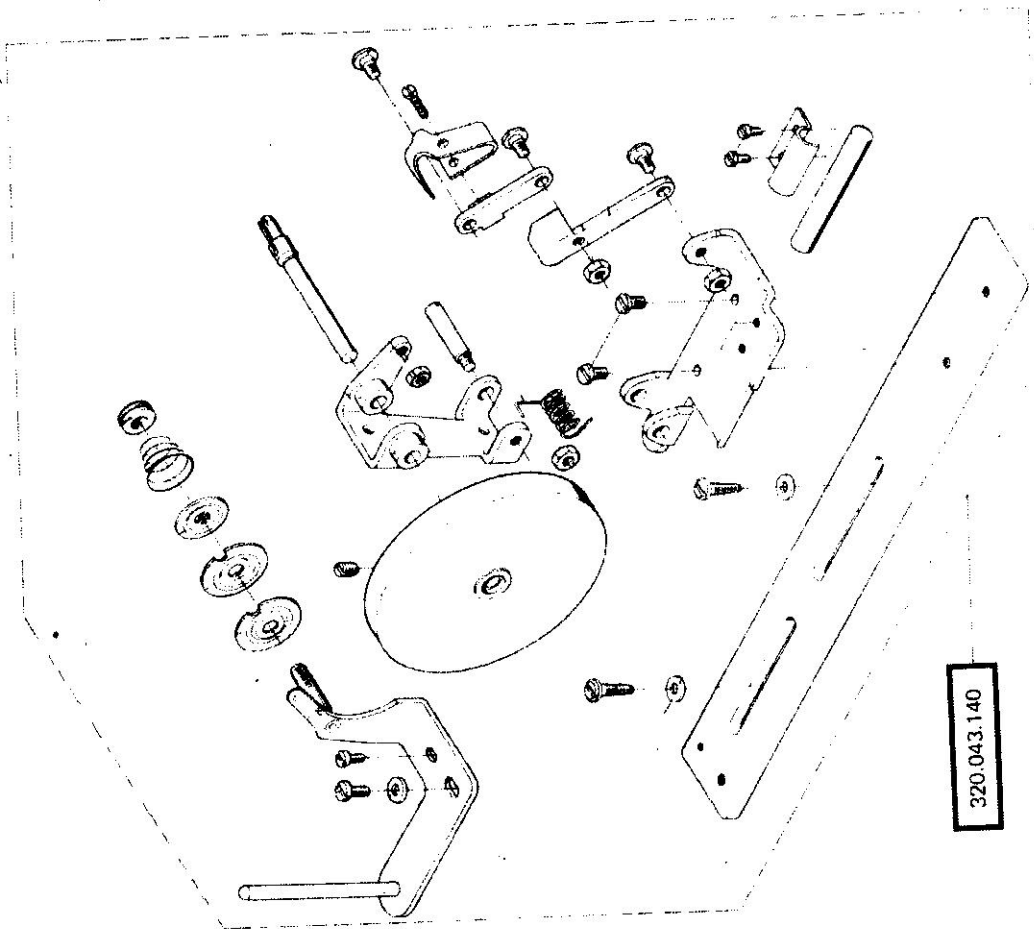
317.018.031

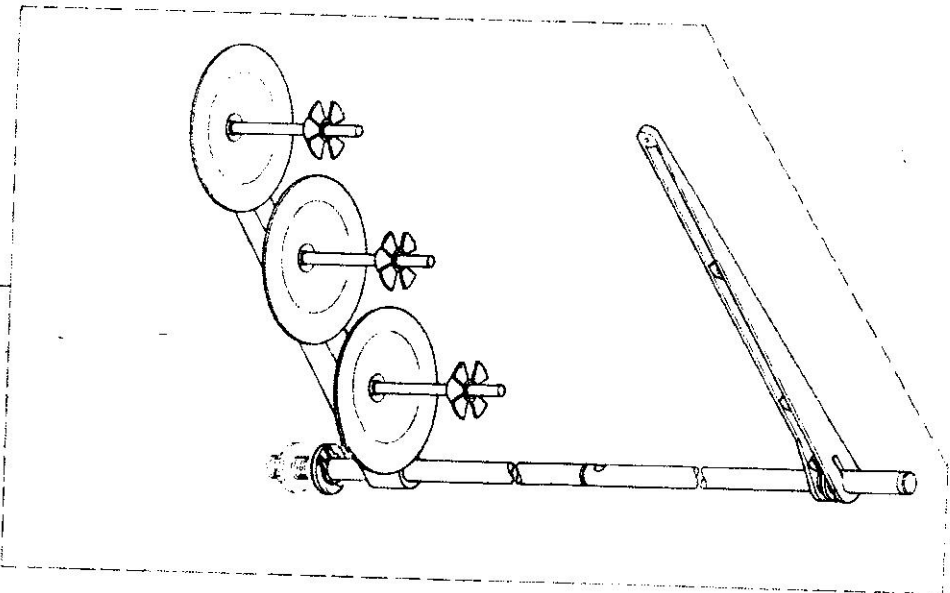
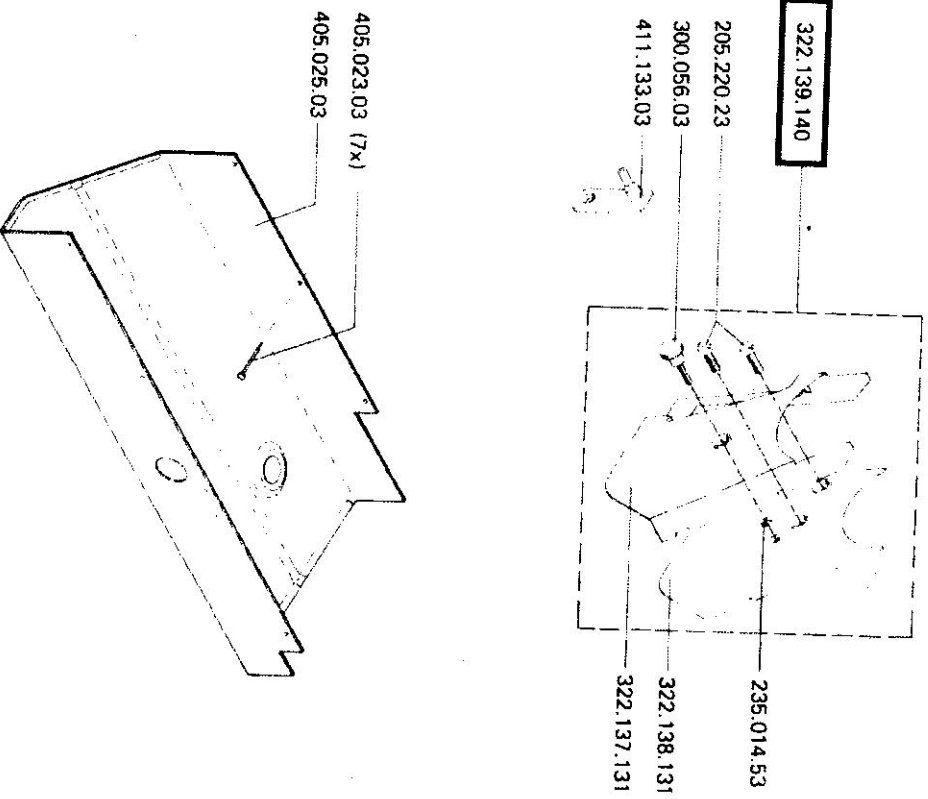
205.017.43

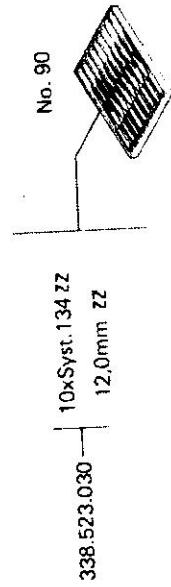
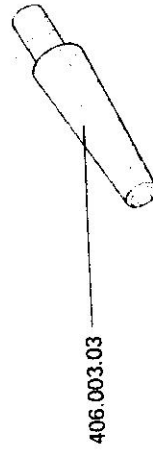
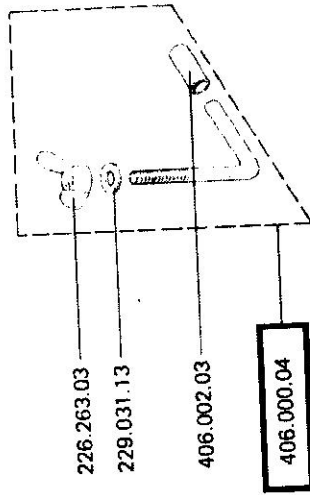
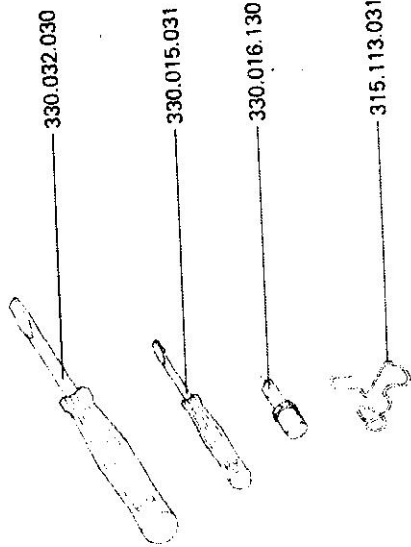
317.008.245



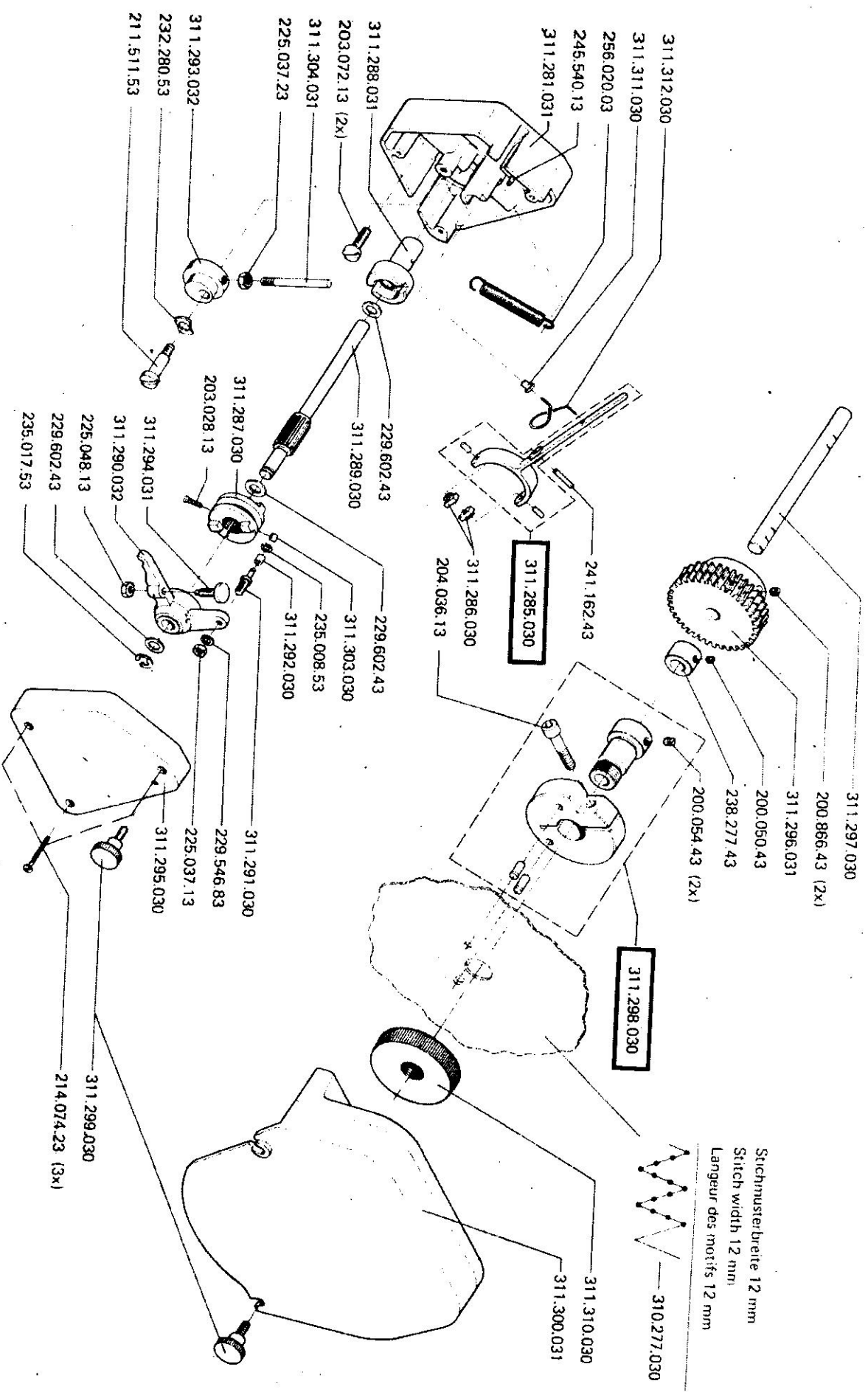
320.043.140



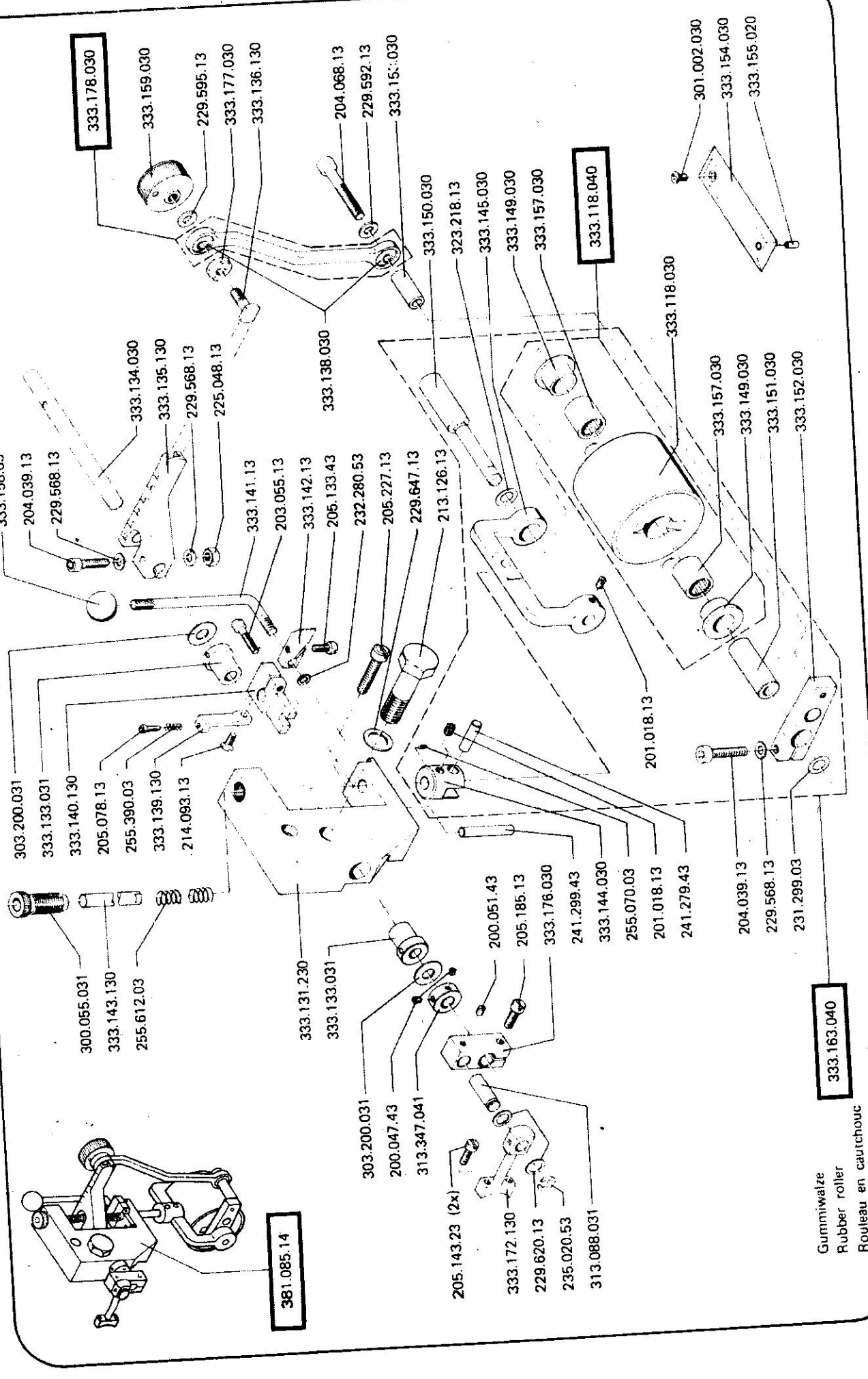




Global ZZ 217-3S



ZZ 217-P-3S



Gummiwalze
 Rubber roller
 Rouleau en caoutchouc

333.163.040

333.178.030

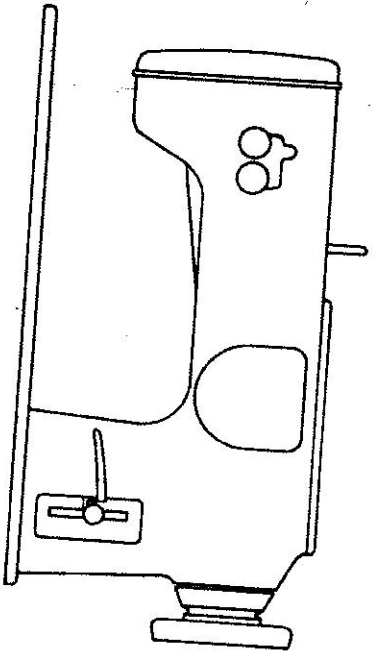
333.118.040

381.085.14

GLOBAL ZZ 217

GLOBAL ZZ 217-3S

GLOBAL ZZ 217-P-3S



www.globalsew.com