

SUPER HIGH SPEED

VARIABLE TOP FEED

OVEREDGE & SAFETY

PARTS LIST

CONTENTS

項 次

索 引

頁次

1.FRAME COMPONENTS (1).....	1
本體與外裝零件(一)	
2.FRAME COMPONENTS (2).....	2
本體與外裝零件(二)	
3.CRANK SHAFT COMPONENTS	3
主軸與相關零件	
4.NEEDLE DRIVING SHAFT COMPONENTS.....	4
針棒驅動軸與相關零件	
5.FEED MECHANISM COMPONENTS (1)	5
進給驅動機構(一)	
6.FEED MECHANISM COMPONENTS (2)	6
進給驅動機構(二)	
7.UPPER AND LOWER LOOPER COMPONENTS	7
上下結線鈎與相關零件	
8.CHAIN LOOPER COMPONENTS (FOR SH6005)	8
鏈結線鈎與相關零件 (五線用)	
9.PRESSER FOOT COMPONENTS (1).....	9
壓脚機構(一)	
10.PRESSER FOOT COMPONENTS (2).....	10
壓脚機構(二)	

11. THREAD TENSION COMPONENTS	11
縫線張力調節機構	12
12. LOWER KNIFE COMPONENTS	13
下刀與相關零件	13
13. UPPER KNIFE COMPONENTS	14
上刀與相關零件	14
14. NEEDLE COOLING MECHANISM	15
針與縫冷卻裝置	15
15. LUBRICATION MECHANISM	16
潤滑系統	16
16. VARIABLE TOP FEED MECHANISM - COMPONENT	17
上送傳送機構	17
17. SPECIAL ORDER PARTS	18
機型變換	18
18. THREAD STAND COMPONENTS	19
線架裝置	19
19. SEMI - SUNKEN TYPE TABLE COMPONENTS	20
車板裝置	20
20. ACCESSORIES	
工具及附件	

(1) FRAME COMPONENTS (1)
本體與外裝零件(一)

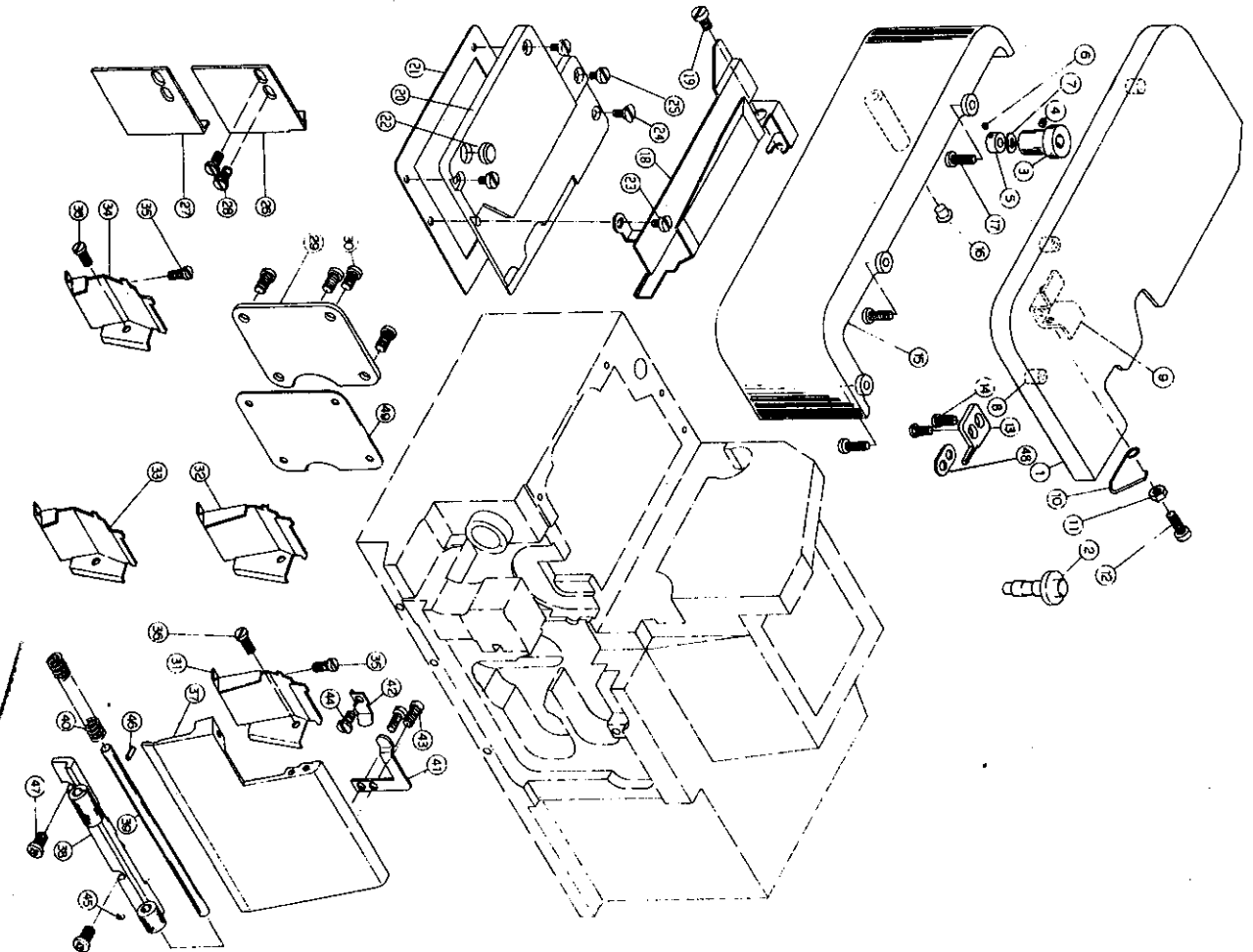
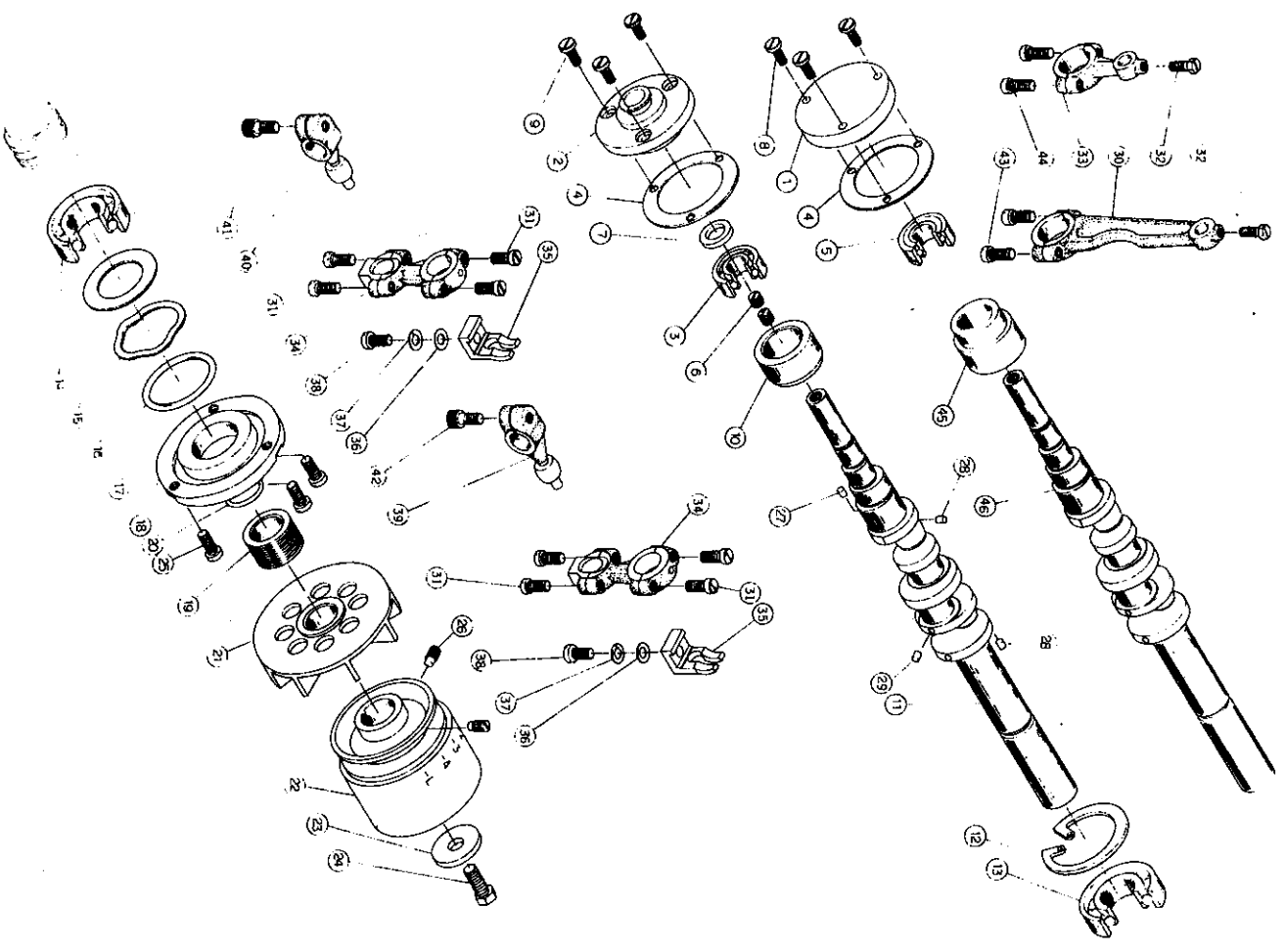


圖 號 數 稱 名

1	Cloth plate asm	6030101C700	1	名板
2	Cloth plate hinge stud	6030102B300	1	板插
3	Eccentric bushing	6030103D300	1	偏心套
4	Screw	SN44400400A	1	螺絲
5	Thrust collar	6030105D300	1	定位螺絲
6	Screw	SN32440300A	1	螺絲
7	Waved washer	6030107D700	1	波浪形墊圈
8	Collar	6030108E300	3	彈簧環
9	Stopper base	6030109C700	1	彈簧底座
10	Spring	6030110A800	1	彈簧
11	Nut	SA44400307A	1	螺帽
12	Screw	SC44401506A	1	螺絲
13	Stopper	6030113B700	1	螺絲扣
14	Screw	SJ44400907M	2	螺絲
15	Clothplate cover	6030115D600	1	布板蓋
16	Rubber plug	6030116A600	1	橡皮膠架
17	Screw	SJ36401307M	3	螺絲
18	Cloth plate Side cover	T6030118B700	1	布板側蓋
19	Screw	SJ48280808M	1	螺絲
20	Feed mechanism cover	T6030120C200	1	左側蓋
21	Gasket	6030121G700	1	防漏墊片
22	Rubber plug	6030122A600	1	橡皮膠架
23	Screw	SJ36400806M	1	螺絲
24	Screw	SF36400907A	1	螺絲
25	Screw	SJ36401006M	3	螺絲
26	Chip guard cover left	6030126B700	1	螺絲
27	Chip guard cover left	6050127B700	1	螺絲
28	Screw	SE44400608L	2	螺絲
29	Screw	6030129B700	1	螺絲
30	Screw	SJ44400907M	4	螺絲
31	Chip guard cover	6030131B700	1	螺絲
32	Chip guard cover	6040132B700	1	螺絲
33	Chip guard cover	6050133B700	1	螺絲
34	Chip guard cover	6050134B700	1	螺絲
35	Screw	SJ36400707M	1	螺絲
36	Screw	SJ36400707M	1	螺絲
37	Looper cover	6030137C200	1	螺絲
38	Looper cover bracket	6030138C200	1	螺絲
39	Looper cover hinge pin	6030139D300	1	螺絲
40	Spring	6030140A800	1	螺絲
41	Looper cover presser plate	6030141D700	1	螺絲
42	Looper cover presser spring	6030142D700	1	螺絲
43	Screw	SJ36400606M	2	螺絲
44	Screw	SJ44400907M	1	螺絲
45	Screw	SN44400400A	1	螺絲
46	Spring pin	SP0208	1	螺絲
47	Screw	SJ44400907M	2	螺絲
48	Washer	6030148B700	1	螺絲
49	Gasket	6030149G700	1	防漏墊片

- 1 For SHT6003
- 2 For SHT6004
- 3 For SHT6005 - 3
- 4 For SHT6005 - 5

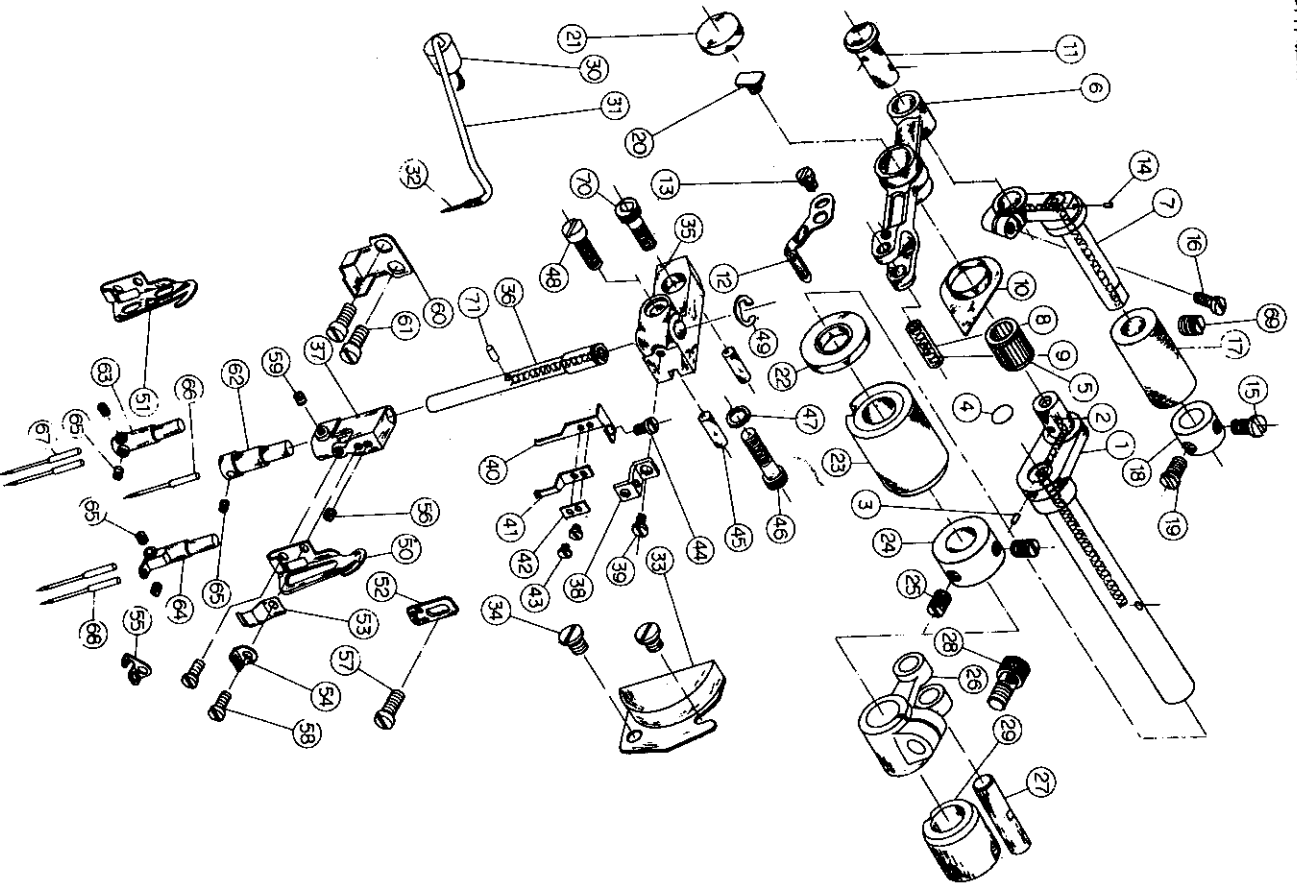
(3) CRANK SHAFT COMPONENTS
主軸與相關零件



號	名	稱	數	量
*1	Crankshaft bushing	軸承座	1	1
*2	Crankshaft bushing	軸承座	1	1
3	Ball bearing	軸承	1	1
*2	Gasket	防漏墊片	2	2
5	Ball bearing	軸承	1	1
*1	Screw	螺絲	2	2
*2	Oil seal	油封	1	1
*1	Screw	螺絲	3	3
*2	Crankshaft bushing	軸承座	1	1
10	Crankshaft	主軸	1	1
11	Ball bearing retainer	孔用 C 型扣環	1	1
12	Ball bearing	軸承	1	1
13	Ball bearing	軸承	1	1
14	Ball bearing	軸承	1	1
15	Washer	墊圈	1	1
16	Waved washer	波形墊圈	1	1
17	Rubber ring	油環	1	1
18	Thrust holder	鋁蓋	1	1
19	Position lock ring	定位環	1	1
20	Oil seal	油環	1	1
21	Fan	風扇	1	1
22	Hand wheel	皮帶輪	1	1
23	Washer	墊圈	1	1
24	Screw	螺絲	1	1
25	Screw	螺絲	3	3
26	Screw	螺絲	2	2
27	Plug	孔塞	1	1
28	Plug	孔塞	2	2
29	Pupper plug	針塞	1	1
30	Needle bar connecting rod	針桿連桿	1	1
31	Screw	螺絲	8	8
32	Screw	螺絲	2	2
33	Knife driving rod	上刀連桿	1	1
34	Looper driving rod	結綫鈎連桿	2	2
35	Guide	導軌	2	2
36	Washer	墊圈	2	2
37	Spring washer	彈簧墊圈	2	2
38	Screw	螺絲	2	2
39	Crank	球軸	1	1
40	Crank	球軸	1	1
41	Screw	螺絲	1	1
42	Screw	螺絲	1	1
43	Screw	螺絲	2	2
44	Screw	螺絲	1	1
*1 45	Crankshaft bushing	軸承座	1	1
*1 46	Crankshaft	主軸	1	1

*1 For SHT 6003, SHT 6004
*2 For SHT 6005

(4) NEEDLE DRIVING SHAFT COMPONENTS
針桿驅動軸與相關零件

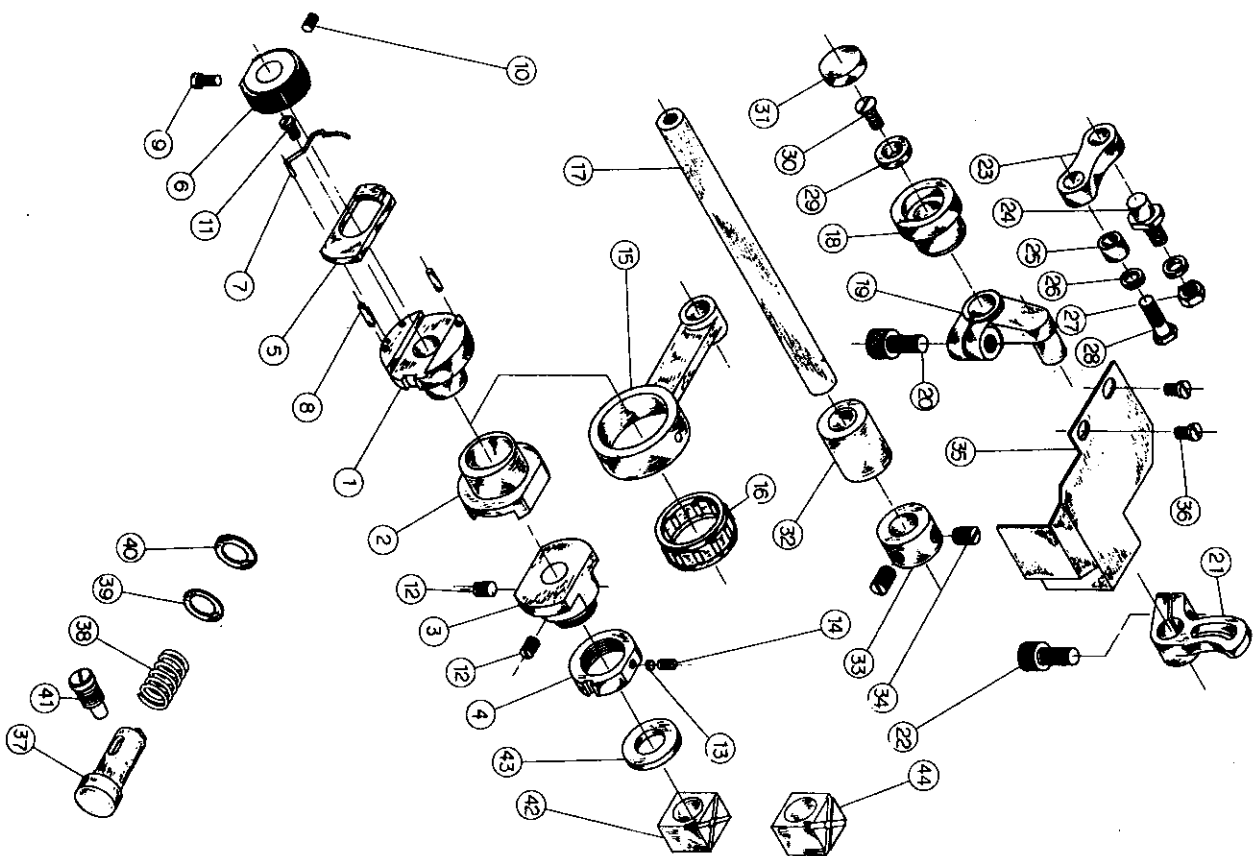


圖號	零件名稱	零件號
1	Needle dnt shaft	6030401A100
2	Oil wick	6707
3	Plug	6030403G300
4	Oil cap	6030404F700
5	Bushing	NB90912H300
6	Needle driving lever	6030407A100
7	Holder	6030408A300
8	Crank pin	6707
9	Oil wick	6030410D700
10	Oil shield	6030411A300
11	Crank pin	6030412D700
12	Needle thread presser	SB24560405A
13	Screw	6030327H300
14	Plug	SN44400400A
15	Screw	SJ36401006M
16	Screw	6030417G300
17	Bushing	6030418D300
18	Thrust collar	SN44400400A
19	Screw	6030420D300
20	Bolt	6030421D700
21	Cover	6030422G300
22	Oil seal	6030423B500
23	Bushing	6030424D300
24	Thrust collar	SE56320500A
25	Screw	6030425A100
26	Forked crank	6030427A300
27	Pin	MM60751210A
28	Screw	6030429G300
29	Bushing	6030430A600
30	Oil wick cover bushing	6691
31	Oil tube	6706
32	Oil wick	6030433B700
33	Cover	S444400508M
34	Screw	6030433B5200
35	Needle Bar Base	60304336A300
36	Needle bar	6030437D100
37	Needle clamp base	6030438B700
38	Needle thread guide	SE36400406L
39	Screw	6050440D700
40	Needle thread clamp base	6050441D700
41	Needle thread clamp	6050442D700
42	Needle clamp washer	SB24560305A
43	Screw	SB24560305A
44	Screw	ST0414
45	Pin	MM60102210A
46	Screw	SW205
47	Spring washer	SB48281208M
48	Retainer B	EK07
49	Needle thread take-up lever	6030450D700
50	Needle thread take-up lever	6030451D700
51	Needle thread guide	6030452B700
52	Needle thread guide	6030453N700
53	Presser spring	6030454B700
54	Needle thread guide	6050455B700
55	Needle thread guide	SH36400400A
56	Screw	SJ36400606M
57	Screw	SE32440405L
58	Screw	SN44400400A
59	Screw	6030460B700
60	Oil reservoir asm	SE36400406L
61	Screw	NC603033
62	Needle clamp	NC604022
63	Needle clamp	NC605032
64	Needle clamp	SN32440300A
65	Screw	DC27xx
66	Needle	DC27xx
67	Needle	SH60280700A
68	Needle	SH60280700A
69	Screw	MM60102010A
70	Screw	MM60102010A
71	Oil felt	6708

*1 For SHT6003
*2 For SHT6004
*3 For SHT6005

圖號 零件名稱 零件號
 1 針桿 6030401A100
 2 油棉 6707
 3 塞子 6030403G300
 4 油蓋 6030404F700
 5 襯套 NB90912H300
 6 針桿驅動桿 6030407A100
 7 夾持器 6030408A300
 8 曲柄銷 6707
 9 油棉 6030410D700
 10 油罩 6030411A300
 11 曲柄銷 6030412D700
 12 針桿線壓器 SB24560405A
 13 螺絲 6030327H300
 14 塞子 SN44400400A
 15 螺絲 SJ36401006M
 16 螺絲 6030417G300
 17 襯套 6030418D300
 18 推力環 SN44400400A
 19 螺絲 6030420D300
 20 螺絲 6030421D700
 21 蓋 6030422G300
 22 油封 6030423B500
 23 襯套 6030424D300
 24 推力環 SE56320500A
 25 螺絲 6030425A100
 26 叉形曲柄 6030427A300
 27 銷 MM60751210A
 28 螺絲 6030429G300
 29 襯套 6030430A600
 30 油棉蓋襯套 6691
 31 油管 6706
 32 油棉 6030433B700
 33 蓋 S444400508M
 34 螺絲 6030433B5200
 35 針桿基座 60304336A300
 36 針桿 6030437D100
 37 針桿夾基座 6030438B700
 38 針桿線導 SE36400406L
 39 螺絲 6050440D700
 40 針桿線夾基座 6050441D700
 41 針桿線夾 6050442D700
 42 針桿線夾墊圈 SB24560305A
 43 螺絲 SB24560305A
 44 螺絲 ST0414
 45 銷 MM60102210A
 46 螺絲 SW205
 47 彈簧墊圈 SB48281208M
 48 針桿線夾取針桿 6030450D700
 49 針桿線夾取針桿 6030451D700
 50 針桿線導 6030452B700
 51 針桿線導 6030453N700
 52 針桿線壓器 6030454B700
 53 針桿線導 6050455B700
 54 針桿線導 SH36400400A
 55 螺絲 SJ36400606M
 56 螺絲 SE32440405L
 57 螺絲 SN44400400A
 58 螺絲 6030460B700
 59 針桿線壓器組件 SE36400406L
 60 針桿線壓器組件 SE36400406L
 61 螺絲 NC603033
 62 針桿線夾 NC604022
 63 針桿線夾 NC605032
 64 針桿線夾 SN32440300A
 65 螺絲 DC27xx
 66 針桿 DC27xx
 67 針桿 SH60280700A
 68 針桿 SH60280700A
 69 螺絲 MM60102010A
 70 螺絲 MM60102010A
 71 針桿線壓器油 6708

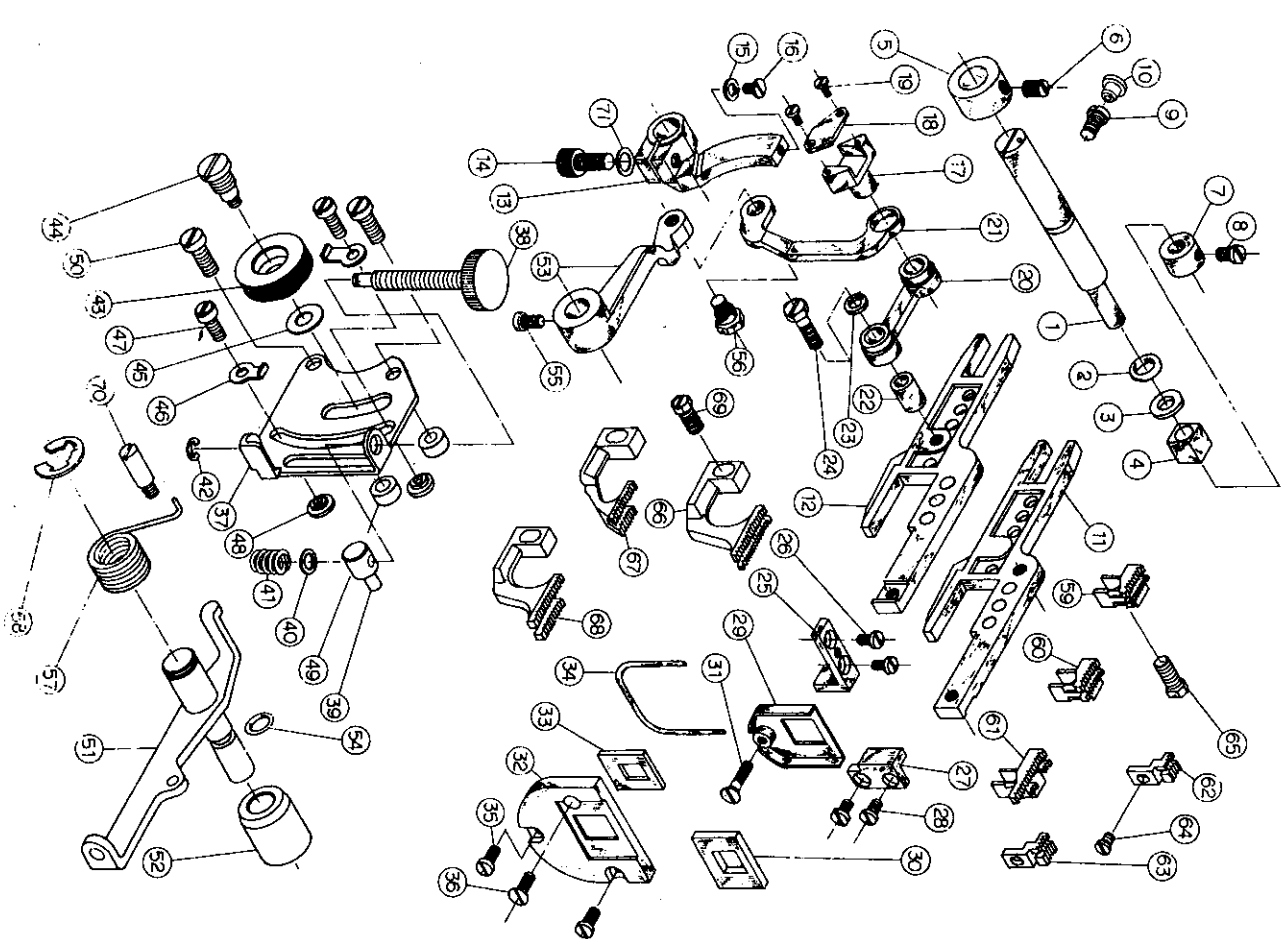
(5) FEED MECHANISM COMPONENTS
進給驅動機構(一)



編	圖	號	名稱	數量
1		6030501A300	偏心輪	1
2		6030502A300	偏心輪	1
3		6030503A300	壓迫環	1
4		6030504A300	壓迫螺帽	1
5		6030505B700	離合板	1
6		6030506A300	棘齒輪	1
7		6030507A800	彈簧	1
8		SP0308	彈簧銷	2
9		SB444400706F	螺絲	1
10		SN444400400A	螺絲	1
11		SB24560604B	螺絲	1
12		SN444400400A	螺絲	2
13		6030513E700	銅塞	1
14		SH36400400A	螺絲	1
15		6030515A100	連桿	1
16		NB22261000	軸承	1
17		6030517A300	軸	1
18		6030518G300	搖杆軸套	1
19		6030519A100	曲柄	1
20		MM60751210A	螺絲	1
21		6030521A100	曲柄	1
22		MM60751210A	螺絲	1
23		6030522A400	連桿	1
24		6030524A300	曲柄	1
25		6030525A300	連桿	1
26		Pw051015	墊圈	2
27		SA48320309B	螺帽	1
28		SK48321207C	螺絲	1
29		6030529B700	墊圈	1
30		SF36400607B	螺絲	1
31		6030531A600	孔塞	1
32		6030532G300	軸套	1
33		6030533D300	定位環	1
34		SH56320500A	螺絲	2
35		6030535B700	防油蓋	1
36		SJ364400606M	螺絲	2
37		6030537D300	止動銷	1
38		6030538A800	彈簧	1
39		6030539D700	墊圈	1
40		6030540L700	羊毛頭	1
41		SB60281507D	螺絲	1
42		6050542G300	滑塊	1
43		6030543B700	墊圈	1
44		6030544G300	滑塊	1

*1 For SHT 6003 SHT 6004
*2 For SHT 6005

(6) FEED MECHANISM COMPONENTS
進給驅動機構(二)

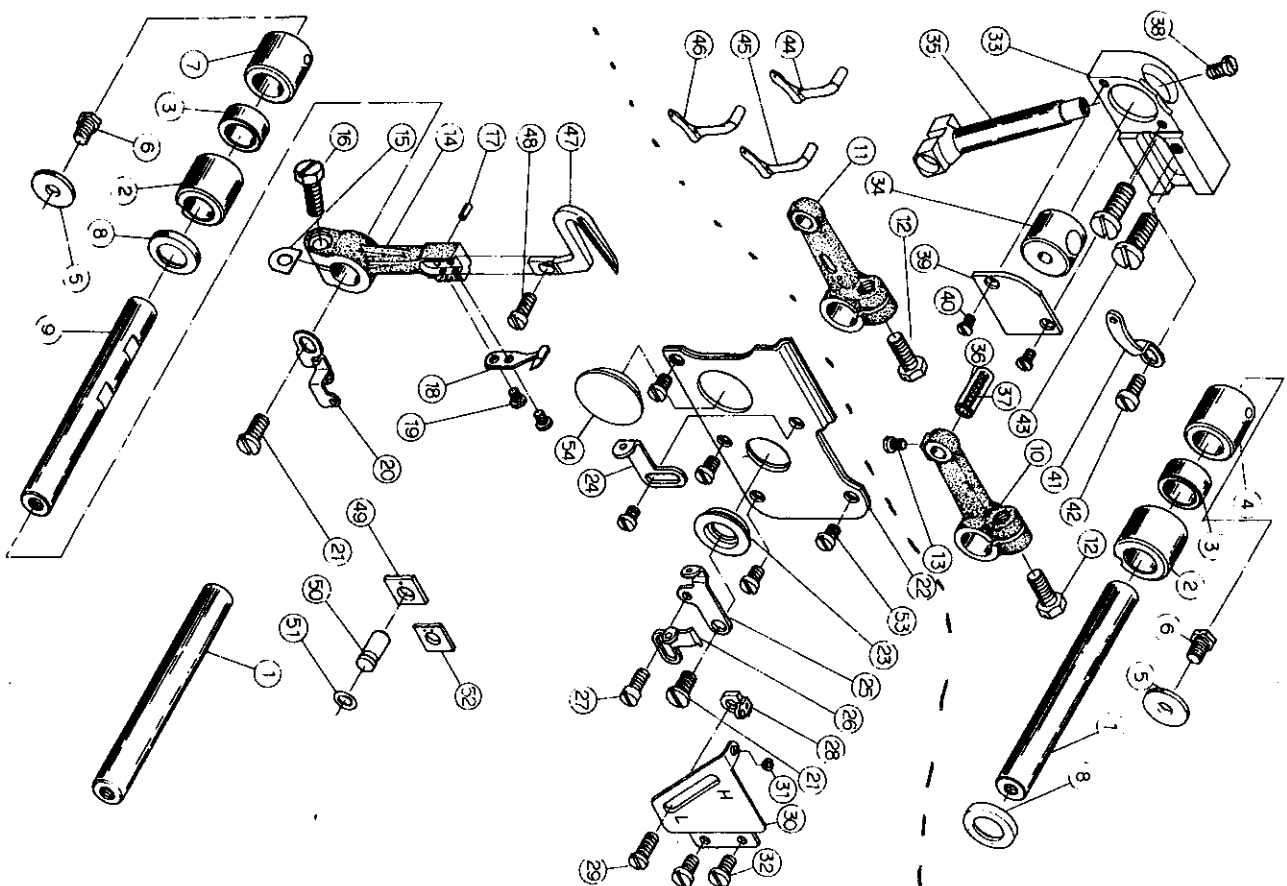


編號	名稱	圖號
1	bar shaft	6030601A300
2	cr ring	ORF08
3	Washer	6030603B700
4	Slide block	6030604A400
5	Collar	6030605D300
6	Collar	SH56.320500A
7	Screw	6030607D300
8	Screw	SB44400706A
9	Screw	SB44400706A
10	Rubber plug	6030610A600
11	Main feed bar	6030611A100
12	Differential feed bar	6030612A100
13	Differential feed rocker	6030613A100
14	Screw	MM60751210A
15	Washer	FW040706
16	Slide block	SC32440406A
17	Cover	6030617C100
18	Screw	6030618B700
19	Screw	SE32440405L
20	Link	6030620A100
21	Link	6030621B700
22	Collar	6030622A300
23	Washer	6030623B700
24	Screw	SK48321607C
25	Feed bar support	6030625A400
26	Screw	6030625A400
27	Feed bar support	6030627B700
28	Screw	6030627B700
29	Rubber cover	SR36400905A
30	Rubber	6030630F600
31	Rubber	6030630F600
32	Rubber case	SF36400907A
33	Rubber ring	6030632C200
34	Rubber ring	6030633F600
35	Screw	6030634A600
36	Screw	SJ36400806M
37	Differential Feed Graduation	6030637B700
38	Adjusting screw	6030638D300
39	Differential feed block	6030639D300
40	Washer	6030640B700
41	Spring	6030641A800
42	Snap ring	BR03
43	Lock nut	6030643D300
44	Hinge screw	6030644C300
45	Washer	6030645B700
46	Washer	6030646B700
47	Screw	SJ36400606M
48	Nut	6030648D300
49	Washer	6030649D300
50	Screw	S148281208M
51	Rocker shaft	6030651B700
52	Bushing	6030652A500
53	Differential feed rocker	6030653B200
54	Rubber ring	ORF06
55	Screw	SC60281107A
56	Hinge screw	SK444009092E
57	Spring	6030657A800
58	Snap ring	BR09
59	Differential feed dog	FD64821
60	Differential feed dog	FD60971
61	Differential feed dog	FD60828
62	Auxiliary feed dog	AF60871
63	Auxiliary feed dog	AF60874
64	Screw	SB32440705A
65	Screw	SK44400907A
66	Main feed dog	DF96040T
67	Main feed dog	DF85209
68	Main feed dog	DF8148E
69	Screw	SK44400907A
70	Stopper Screw	S148280606D
71	WASHER	6030671B700
72	Nut	6030672B300
73	Hinge screw	6030673B300

*1 For SHT 6003
*2 For SHT 6004
*3 For SHT 6005
*4 For SHT 6003 SHT 6004

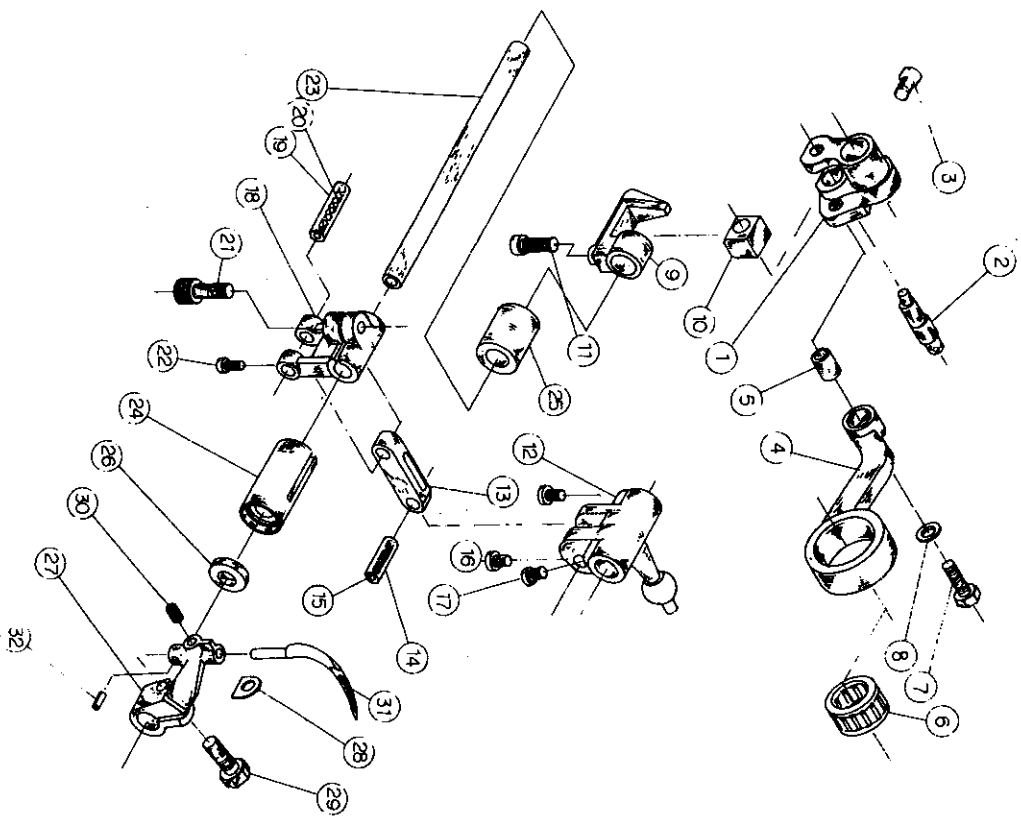
圖號	名稱
6030601A300	軸
ORF08	油封
6030603B700	彈簧墊圈
6030604A400	定位塊
6030605D300	定位環
SH56.320500A	定位環
6030607D300	螺絲
SB44400706A	螺絲
6030610A600	橡膠塞
6030611A100	主動軸
6030612A100	差動軸
6030613A100	差動搖臂
MM60751210A	螺絲
FW040706	螺絲
SC32440406A	螺絲
6030617C100	螺絲
6030618B700	螺絲
SE32440405L	螺絲
6030620A100	連桿
6030621B700	連桿
6030622A300	螺絲
6030623B700	螺絲
SK48321607C	螺絲
6030625A400	螺絲
6030625A400	螺絲
6030627B700	螺絲
6030627B700	螺絲
SR36400905A	螺絲
6030630F600	橡膠
6030630F600	橡膠
SF36400907A	螺絲
6030632C200	橡膠
6030633F600	橡膠
6030634A600	螺絲
SJ36400806M	螺絲
6030637B700	螺絲
6030638D300	螺絲
6030639D300	螺絲
6030640B700	螺絲
6030641A800	螺絲
BR03	彈簧
6030643D300	螺絲
6030644C300	螺絲
6030645B700	螺絲
6030646B700	螺絲
SJ36400606M	螺絲
6030648D300	螺絲
6030649D300	螺絲
S148281208M	螺絲
6030651B700	螺絲
6030652A500	螺絲
6030653B200	螺絲
ORF06	螺絲
SC60281107A	螺絲
SK444009092E	螺絲
6030657A800	螺絲
BR09	彈簧
FD64821	螺絲
FD60971	螺絲
FD60828	螺絲
AF60871	螺絲
AF60874	螺絲
SB32440705A	螺絲
SK44400907A	螺絲
DF96040T	螺絲
DF85209	螺絲
DF8148E	螺絲
SK44400907A	螺絲
S148280606D	螺絲
6030671B700	螺絲
6030672B300	螺絲
6030673B300	螺絲

(7) UPPER AND LOWER LOOPER COMPONENTS
上下結線鉤與相關零件



編號	名稱	圖號	單位
1	Upper looper shaft	6030701A300	2
2	Washer	6030702G300	2
3	Thrust collar	6030703D300	2
4	Bushing	6030704G300	2
5	Washer	6030705B700	2
6	Screw	SK44400907A	2
7	Bushing	6030707G300	2
8	Rubber ring	6030708A600	2
9	Lower looper shaft	6050709A300	1
10	Crank	6030710A100	1
11	Screw	6040711A100	1
12	Screw	SK60281207F	2
13	Screw	SB36400505A	1
14	Lower looper support arm	6030714D100	1
15	Washer	6030715B700	1
16	Screw	6030715B700	1
17	Screw	SK60281007F	1
18	Spring pin	SP0206	1
19	Traveling needle guide	6030718E200	1
20	Screw	SE32440405L	2
21	Looper thread take-up	6030720B700	1
22	Screw	SJ44400907M	1
23	Oil shield plate	6030722B700	1
24	Oil seal	6030723A600	1
25	Thread guide	6030724B700	1
26	Looper thread take up	6030725B700	1
27	Thread take up	6030726B700	1
28	Screw	SC324404066A	1
29	Lower looper thread guide	6030728B700	1
30	Screw	SE36400406L	1
31	Looper thread take up cover	6030730B700	1
32	Thread guide	6030731A900	1
33	Screw	SJ44400907M	2
34	Guide cover	6030739B700	1
35	Screw	SE32440405L	2
36	Thread guide	6030741B700	1
37	Screw	SJ36400707M	1
38	Screw	SE60281609L	2
39	Upper looper	UL603880	1
40	Upper looper	UL603881	1
41	Upper looper	UL604883	1
42	Lower looper	LL603884	1
43	Screw	SJ36400606M	1
44	Upper looper	6030749B700	1
45	Upper looper	6030749B700	1
46	Lower looper	6030750D300	1
47	Stopper	ORP04	1
48	Pin	6040752B700	1
49	Rubber ring	SJ36400707M	1
50	Stopper	6030754A600	5
51	Stopper	6030754A600	1
52	Stopper	6030754A600	1
53	Stopper	6030754A600	1
54	Stopper	6030754A600	1

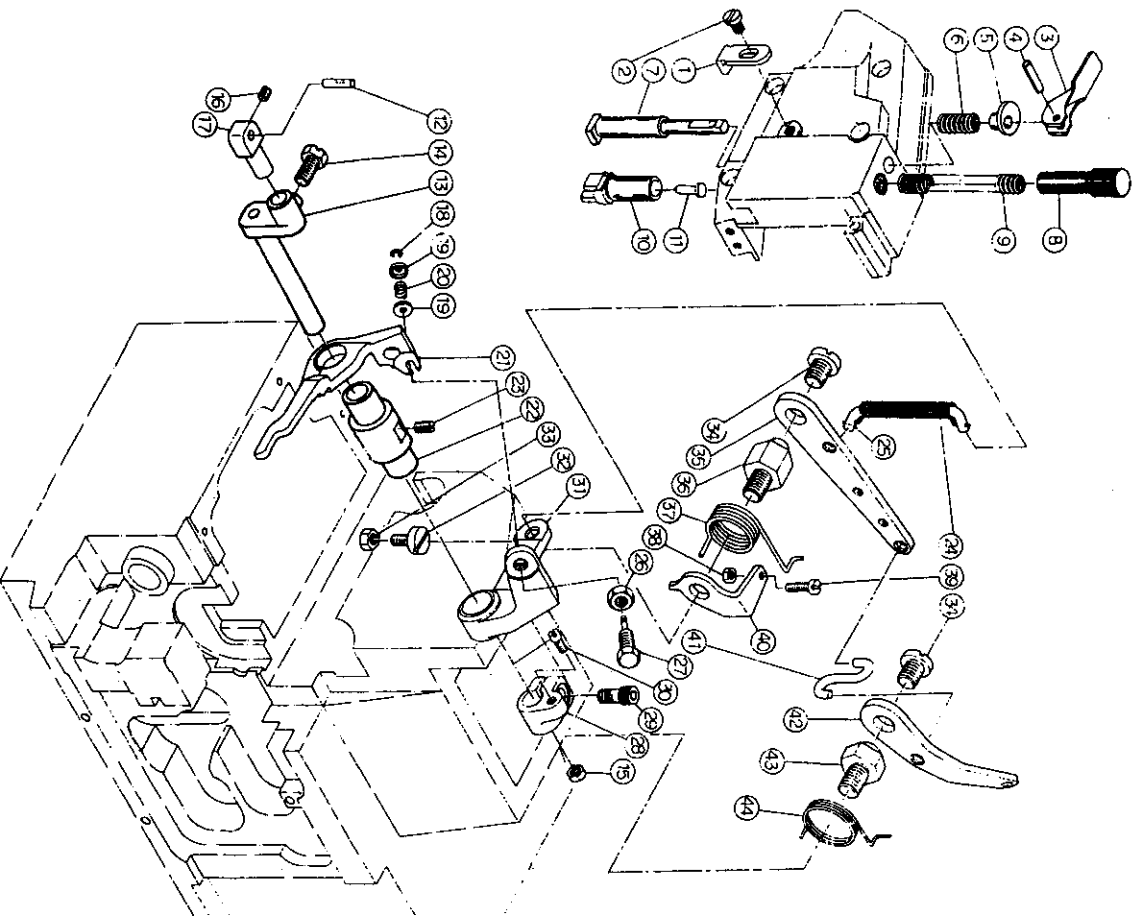
(8) CHAIN LOOPER COMPONENTS (FOR SH6005)
鏈結線鈎與相關零件 (五線用)



編號	圖號	名稱	數量
1	6050801A100	擺動臂	1
2	6050802A300	曲軸	1
3	SB44400706A	螺絲	1
4	6050804A100	連桿	1
5	6050805A300	隔環	1
6	NB18221000	軸承	1
7	SK48321307C	螺絲	1
8	PW051007	墊圈	1
9	6050809A100	驅動座	1
10	6050810A400	滑塊	1
11	SB48321207A	螺絲	1
12	6050812A100	滾軸	1
13	6050813A400	連桿	1
14	6050814A300	擺鉤	1
15	6707	油線	1
16	SB36400505A	螺絲	1
17	SN44400400A	螺絲	2
18	6050818A100	曲柄	1
19	6050819A300	曲柄銷	1
20	6707	油線	1
21	NM60751210A	螺絲	1
22	SB36400505A	螺絲	1
23	6050823A300	軸	1
24	6050824G300	軸襯	1
25	6050825G300	軸襯	1
26	6050826A600	油封	1
27	6050827D100	擺動臂	1
28	6050828B700	墊圈	1
29	SK60281007F	螺絲	1
30	SN44400400A	螺絲	1
31	CL605294	結鈎	1
32	SP0208	彈簧銷	1

(9) PRESSER FOOT COMPONENTS (1)

壓脚機構 (一)



編號

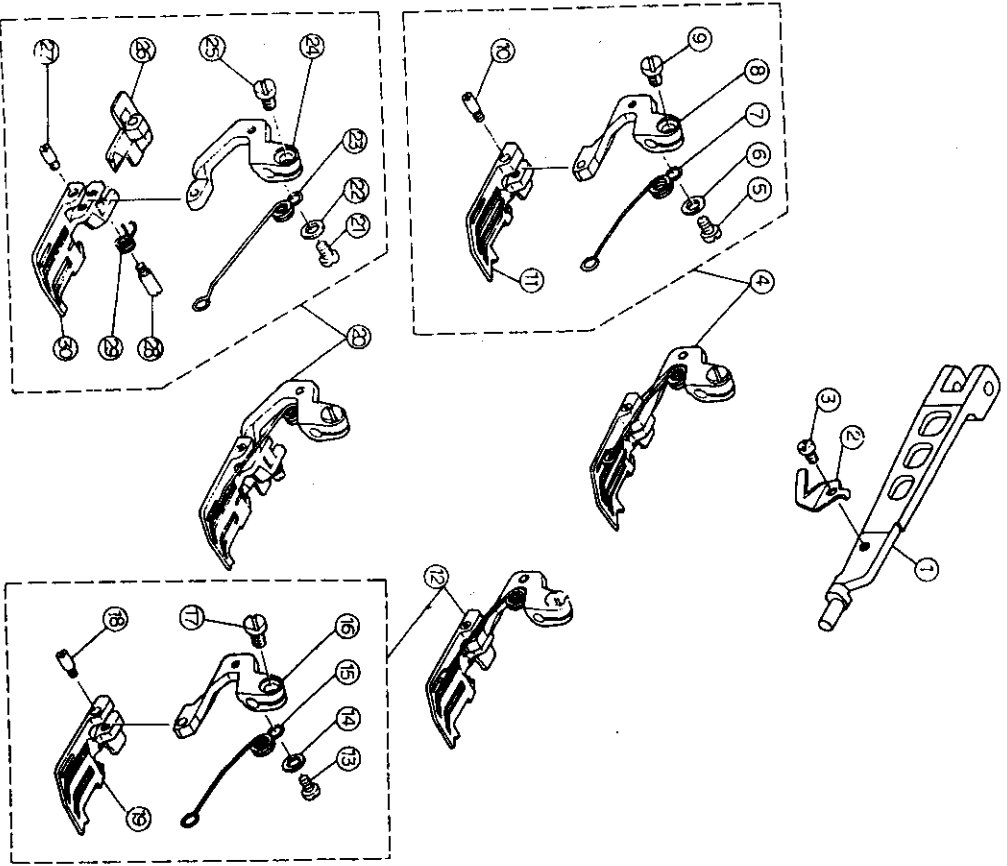
圖號

名稱

數量

1	Presser foot lifting lever stopper	60309224B700	止動片	1
2	Screw	SE44400608L	螺絲	1
3	Presser foot lifting lever	6030919B700	板手	1
4	Spring Pin	SP0210	彈簧銷	1
5	Base	6030921D300	卡座	1
6	Spring	6030923A800	彈簧	1
7	Plunger	6030922E100	升降鉤	1
8	Presser Spring regulator	6030915D300	調節螺絲	1
9	Spring	6030916A800	彈簧	1
10	Presser bar	6030917A300	壓桿	1
11	Plunger collar	6030918L300	鐵夫龍	1
12	Pin	6031004A300	樞動軸	1
13	Presser foot shaft asm	T6030913A100	壓脚臂	1
14	Screw	SJ48280808M	螺絲	1
15	Nut	SA44400307A	螺帽	1
16	Screw	SN44400400A	螺絲	1
17	Adjusting base	T6030917D300	壓脚臂鈕	1
18	Snap ring	T6030918	E形扣環	1
19	Washer	T6030919D700	盤簧	2
20	Spring	T6030920A800	彈簧	1
21	Top feed dog lifter	T6030921A100	揚齒臂	1
22	Bushing	T6030922A300	軸襯	1
23	Screw	SH60280700A	螺絲	1
24	Spring	T6030924B800	彈簧	1
25	Lifting hook	T6030925B700	吊鈎	1
26	Nut	T6030926D300	螺帽	1
27	Screw	T6030927D300	螺絲	1
28	Presser foot Shaft Thrust arm	6030910A100	由柄	1
29	Screw	MM60751210A	螺絲	1
30	Screw	SB44401705J	螺絲	1
31	Lifting arm	T6030931E200	由柄	1
32	Screw	SK60281109B	螺絲	1
33	Nut	SA60280309A	螺帽	1
34	Screw	SC6424091aC	螺絲	2
35	Lifting lever	T6030935B700	連桿	1
36	Lifting lever screw	6030931D300	螺絲	1
37	Spring	6030932A800	彈簧	1
38	Nut	SA44400307A	螺帽	1
39	Screw	SK44401307A	螺絲	1
40	Presser foot lifting lever stopper	6030933B700	止動片	1
41	Lever connecting hook	T6030941D800	S鉤	1
42	Lifting lever	T6030942B700	連桿	1
43	Screw	T6030943D300	螺絲	1
44	Spring	T6030944A800	彈簧	1

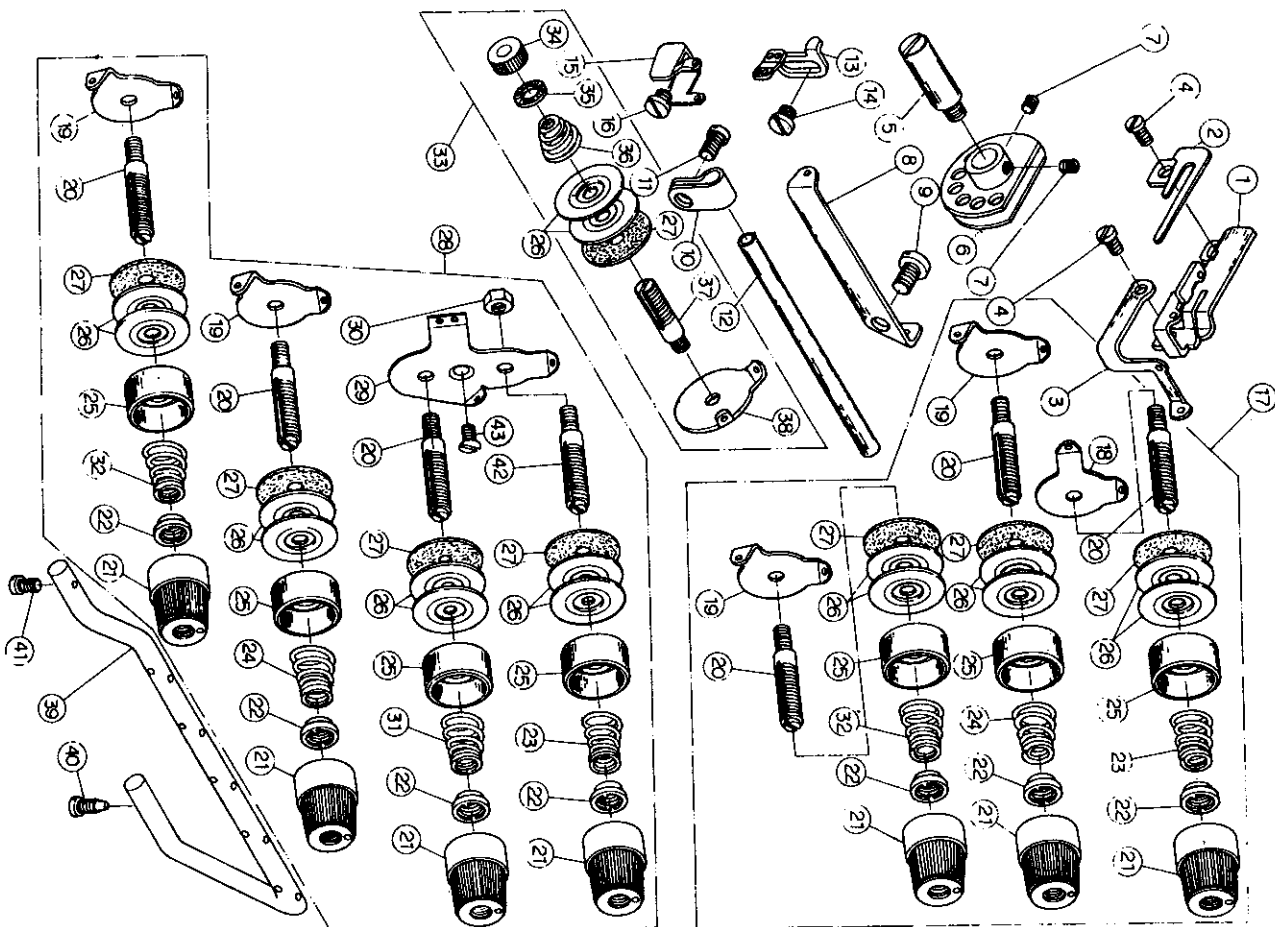
00 PRESSER FOOT COMPONENTS (2)
壓脚機構(2)



編號	圖號	名稱	單位	數量
1	T6031001E200	壓刀臂	1	1
2	T6031002D700	切線刀	1	1
3	SB24560305A	螺絲	1	1
4	PF6F30320	壓脚組	1	1
5	SC32440406A	螺絲	1	1
6	6031009B700	墊圈	1	1
7	F PF603032E	彈簧	1	1
8	PF6F3032A	壓脚柄	1	1
9	SJ36400606M	螺絲	1	1
10	F PF603032D	螺絲	1	1
11	F PF603032B	壓脚底	1	1
12	F PF604A320	壓脚組	1	1
13	SC32440406A	螺絲	1	1
14	6031009B700	墊圈	1	1
15	F PF603032C	彈簧	1	1
16	F PF603032A	壓脚柄	1	1
17	SJ36400606M	螺絲	1	1
18	F PF603032D	螺絲	1	1
19	F PF604A32B	壓脚底	1	1
20	F PF605C320	壓脚組	1	1
21	SC32440406A	螺絲	1	1
22	6031009B700	墊圈	1	1
23	F PF605C32D	彈簧	1	1
24	F PF605C32A	壓脚柄	1	1
25	SJ36400606M	螺絲	1	1
26	F PF605C32C	後壓脚	1	1
27	F PF605C32E	螺絲	1	1
28	F PF605C32F	螺絲	1	1
29	F PF605C32G	彈簧	1	1
30	F PF605C32B	壓脚底	1	1

• 1 For SHT 6003032M04
• 2 For SHT 6004A32M14
• 3 For SHT 6005C32M16

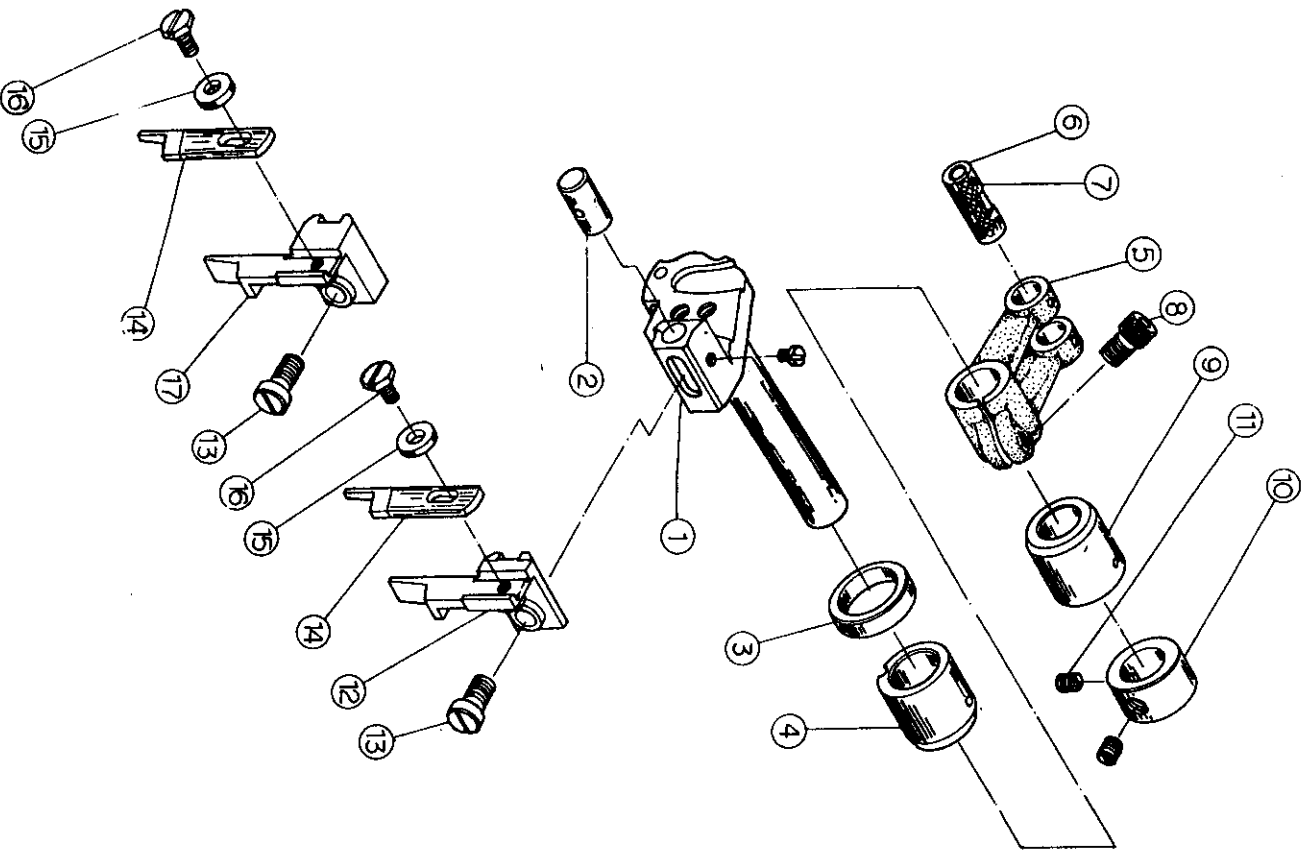
(D) THREAD TENSION COMPONENTS
 縫線張力調節機構



編號	圖號	名稱	數量
1	6051101B700	Chain loop thread guide	1
2	6051102B700	Hook	1
3	6051103B700	Chain loop thread guide	1
4	SJ36400806M	Screw	2
5	6051105B300	Stud	1
6	6051106B700	Thread cam	1
7	SH44400400A	Screw	2
8	6051108B700	Thread guide	1
9	SJ60281310M	Screw	1
10	6051110B700	Mounting bracket	1
11	SJ44400907M	Screw	1
12	6051112D300	Thread guide tube	1
13	6031113B700	Needle thread guide	1
14	SJ44400508M	Screw	1
15	6051115B700	Needle thread guide	1
16	SJ44400508M	Screw	1
17	60311101A	Thread tension spring asm	1
18	60311118B700	Thread guide	1
19	6031119B700	Thread guide	3
20	6031120D300	Stud	3
21	6031121D600	Nut	7
22	6031122D600	Bushing	7
23	6031123A800	Spring	2
24	6031124A800	Spring	4
25	6031125D600	Spring tube	7
26	6031126D700	Tension disc	16
27	6031127L700	Felt	8
28	6041102A	Tension controller asm	1
29	6041129B700	Thread guide	1
30	SA44400307A	Nut	1
31	6041131A800	Spring	1
32	6051132A800	Spring	1
33	6051103A	Tension controller asm	1
34	6051134D300	Nut	1
35	6051135B700	Tension disc stopper	1
36	6051136A800	Spring	1
37	6051137D300	Stud	1
38	6051138B700	Thread guide	1
39	6031139B700	Thread guide	1
40	SB60281309H	Screw	1
41	SB44400706A	Screw	1
42	6031142D300	Stud	1
43	SF4440060F	Screw	1

*1 For SHT6005
 *2 For SHT6003
 *3 For SHT6004、SHT6005

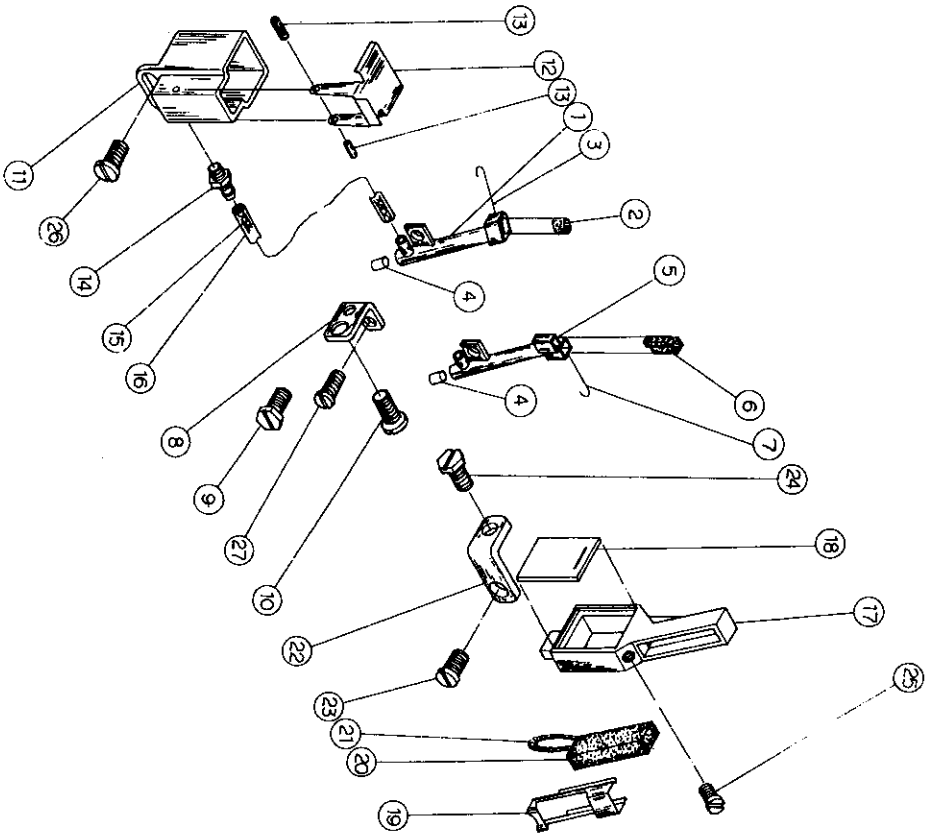
3BUPPER KNIFE COMPONENTS
上刀與相關零件



編號	圖號	名稱	數量
1	T6031301A100	上刀柄	1
2	6031302D300	銷	1
3	6031303A600	油封	1
4	T6031304G300	軸襯	1
5	6031305A100	曲柄	1
6	6030427A300	樞銷	1
7	6707	油線	1
8	MM60751210A	螺絲	1
9	6031309G300	軸襯	1
10	6031310D300	定位環	1
11	SH56320500A	螺絲	2
•1 12	6031312E200	上刀台	1
13	SC44401008A	螺絲	2
14	6031314C500	上刀	1
15	PW040912	墊圈	2
16	SK36400807A	螺絲	2
•2 17	6051317E200	上刀台	1

•1 For SHT6003、SHT6004
•2 For SHT6005

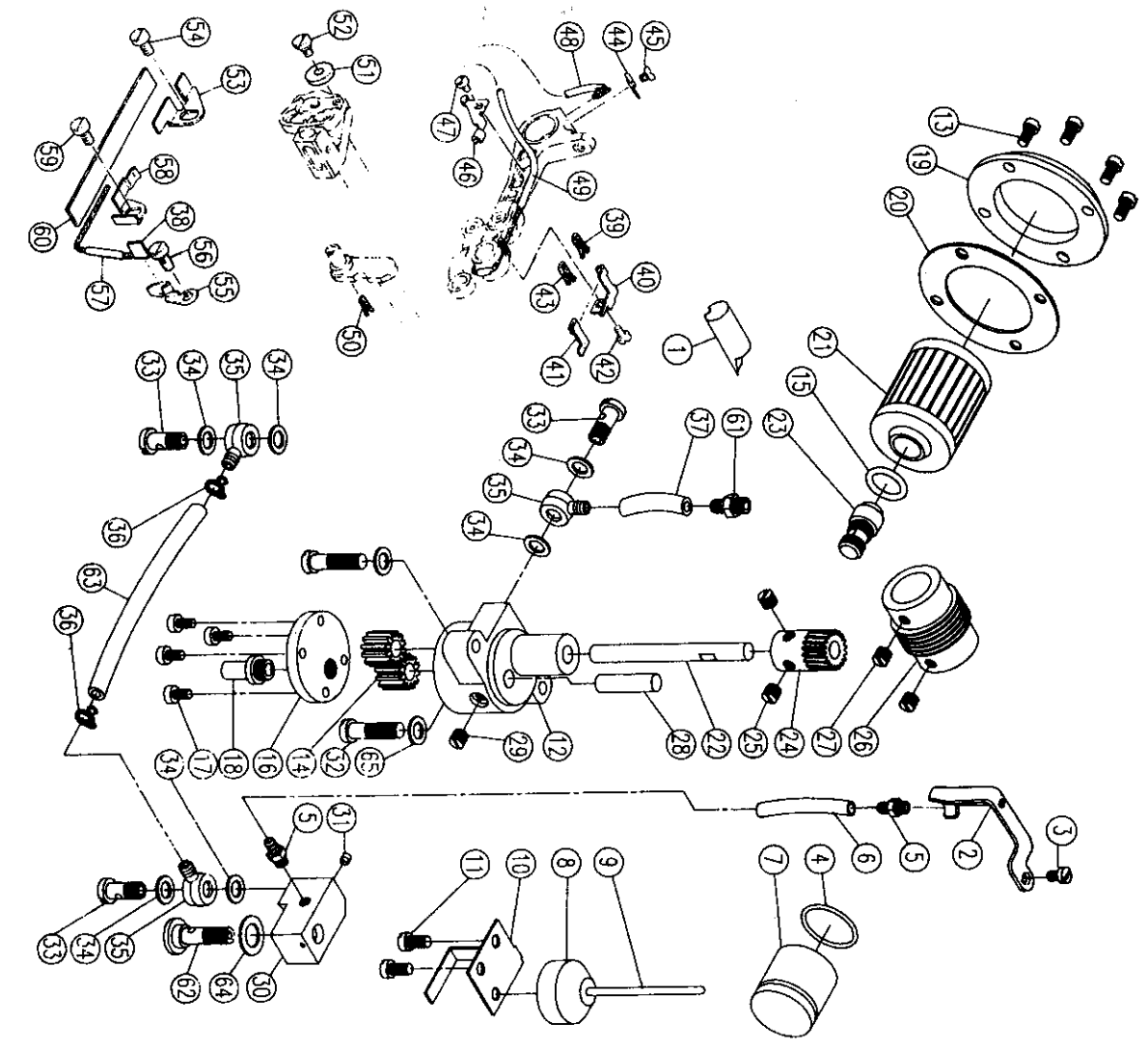
14) NEEDLE COOLING MECHANISM
針與縫線冷卻裝置



編號	圖號	名稱	數量
• 1	Needle c 3r	冷卻器	1
• 1	Felt	羊毛氈	1
3	Wire	固定鋼線	1
4	Plug	孔塞	2
• 2	Needle cooler	冷卻器	1
• 2	Felt	羊毛氈	1
7	Wire	固定鋼線	1
8	Support	腳座	1
9	Screw	螺絲	1
10	Screw	螺絲	1
11	Oil tank	油壺	1
12	Reservoir upper cap cover	彈簧蓋	1
13	Spring pin	彈簧銷	2
14	Oil tube joint	油嘴	1
15	Oil wick	油線	1
16	Oil tube	油管	1
17	Tank	蓄油器	1
18	Oil sign gauge	油位鏡	1
19	Cover	彈簧蓋	1
20	Sponge	羊毛氈	1
21	Oil wick	油線	1
22	Support	腳座	1
23	Screw	螺絲	1
24	Screw	螺絲	1
25	Screw	螺絲	1
26	Screw	螺絲	1
27	Screw	螺絲	1
• 1	For SHT 6003 SHT 6004		
• 2	For SHT 6005		

09 LUBRICATION MECHANISM

潤滑系統

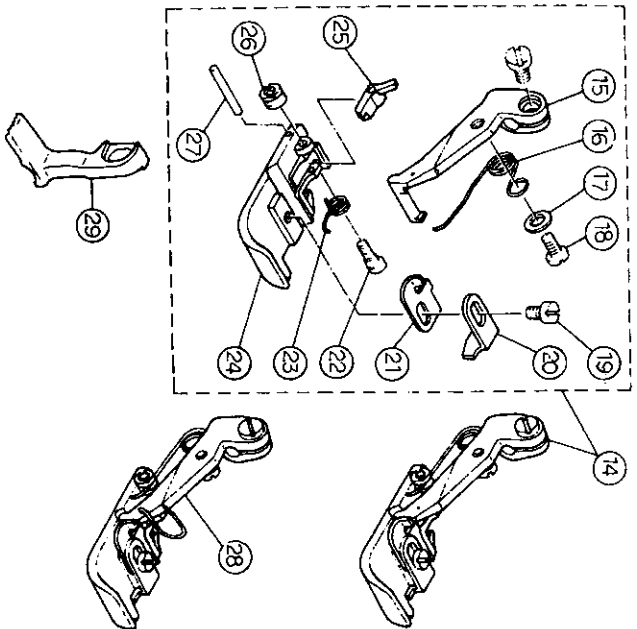
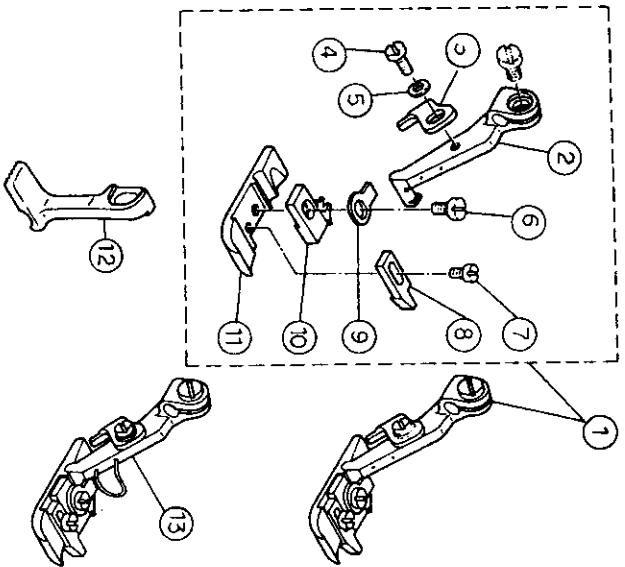


圖號	名稱	數量
1	Bushing	1
2	Oil exhaust holder	1
3	Screw	1
4	Oil seal	1
5	Oil tube joint	1
6	Oil tube	1
7	Oil sign gauge	1
8	Float	1
9	Indicator	1
10	Indicator support	1
11	Screw	2
12	Oil pump base	1
13	Screw	2
14	Gear	1
15	Rubber ring	1
16	Casing plate	1
17	Screw	1
18	Dil tube	4
19	Casing plate	1
20	Gasket	1
21	Cartridge filter	1
22	Shaft	1
23	Oil tube joint	1
24	Worm gear	1
25	Screw	1
26	Worm	2
27	Screw	1
28	Shaft	1
29	Screw	1
30	Distributor block	1
31	Plug	1
32	Screw	2
33	Screw	1
34	Washer	1
35	Oil tube joint	4
36	Snap ring	2
37	Oil tube	1
38	Oil wick	1
39	Oil wick	1
40	Felt holder	1
41	Oil felt	1
42	Screw	1
43	Oil wick Holder	1
44	Screw	1
45	Felt holder	1
46	Screw	1
47	Oil tube	1
48	Oil tube	1
49	Oil wick	1
50	Oil felt	1
51	Oil felt	1
52	Screw	1
53	Felt holder	1
54	Screw	1
55	Felt holder	1
56	Screw	1
57	Oil tube	1
58	Felt holder	1
59	Screw	1
60	Oil felt	1
61	Oil tube joint	1
62	Oil tube	1
63	Washer	1
64	Washer	1
65	Washer	2

圖號	名稱	數量
6031501D600	噴嘴	1
T60315025700	噴嘴	1
SC44401506A	噴嘴	1
603032A600	噴嘴	1
6031414G300	噴嘴	1
6692	噴嘴	1
6031507K300	噴嘴	1
6031508G300	噴嘴	1
6031509D600	噴嘴	1
6031510B700	噴嘴	1
S144400907M	噴嘴	1
6031512A200	噴嘴	1
SJ44401108J	噴嘴	1
6031514A500	噴嘴	1
ORP12	噴嘴	1
6031516B700	噴嘴	1
STR36400707M	噴嘴	1
6031518B700	噴嘴	1
6031519D200	噴嘴	1
6031520G700	噴嘴	1
6031521G700	噴嘴	1
6031522A300	噴嘴	1
6031523G300	噴嘴	1
6031524B300	噴嘴	1
SH56320500A	噴嘴	1
6031526A300	噴嘴	1
SNS6320500A	噴嘴	1
6031528A300	噴嘴	1
SH44400400A	噴嘴	1
6031530D200	噴嘴	1
6031531H300	噴嘴	1
SE48282007L	噴嘴	1
6031533D300	噴嘴	1
6031534E600	噴嘴	1
6031535D600	噴嘴	1
6031536A800	噴嘴	1
6693	噴嘴	1
6707	噴嘴	1
T6031540B700	噴嘴	1
T6031541L700	噴嘴	1
SC32440406A	噴嘴	1
6707	噴嘴	1
T6031544B700	噴嘴	1
SB32440305A	噴嘴	1
T6931546B700	噴嘴	1
SC32440406A	噴嘴	1
6691	噴嘴	1
6691	噴嘴	1
6707	噴嘴	1
T6031551L700	噴嘴	1
SB36400507G	噴嘴	1
T6031553B700	噴嘴	1
SJ48280808M	噴嘴	1
T6031555B700	噴嘴	1
SJ48280808M	噴嘴	1
6691	噴嘴	1
T6031558B700	噴嘴	1
SJ48280808M	噴嘴	1
T6031560L700	噴嘴	1
6031539G300	噴嘴	1
6031540G300	噴嘴	1
6692	噴嘴	1
6031542E600	噴嘴	1
PW051007	噴嘴	1

圖號	名稱	數量
6031501D600	回油嘴	1
T60315025700	回油嘴	1
SC44401506A	回油嘴	1
603032A600	回油嘴	1
6031414G300	回油嘴	1
6692	回油嘴	1
6031507K300	回油嘴	1
6031508G300	回油嘴	1
6031509D600	回油嘴	1
6031510B700	回油嘴	1
S144400907M	回油嘴	1
6031512A200	回油嘴	1
SJ44401108J	回油嘴	1
6031514A500	回油嘴	1
ORP12	回油嘴	1
6031516B700	回油嘴	1
STR36400707M	回油嘴	1
6031518B700	回油嘴	1
6031519D200	回油嘴	1
6031520G700	回油嘴	1
6031521G700	回油嘴	1
6031522A300	回油嘴	1
6031523G300	回油嘴	1
6031524B300	回油嘴	1
SH56320500A	回油嘴	1
6031526A300	回油嘴	1
SNS6320500A	回油嘴	1
6031528A300	回油嘴	1
SH44400400A	回油嘴	1
6031530D200	回油嘴	1
6031531H300	回油嘴	1
SE48282007L	回油嘴	1
6031533D300	回油嘴	1
6031534E600	回油嘴	1
6031535D600	回油嘴	1
6031536A800	回油嘴	1
6693	回油嘴	1
6707	回油嘴	1
T6031540B700	回油嘴	1
T6031541L700	回油嘴	1
SC32440406A	回油嘴	1
6707	回油嘴	1
T6031544B700	回油嘴	1
SB32440305A	回油嘴	1
T6931546B700	回油嘴	1
SC32440406A	回油嘴	1
6691	回油嘴	1
6691	回油嘴	1
6707	回油嘴	1
T6031551L700	回油嘴	1
SB36400507G	回油嘴	1
T6031553B700	回油嘴	1
SJ48280808M	回油嘴	1
T6031555B700	回油嘴	1
SJ48280808M	回油嘴	1
6691	回油嘴	1
T6031558B700	回油嘴	1
SJ48280808M	回油嘴	1
T6031560L700	回油嘴	1
6031539G300	回油嘴	1
6031540G300	回油嘴	1
6692	回油嘴	1
6031542E600	回油嘴	1
PW051007	回油嘴	1

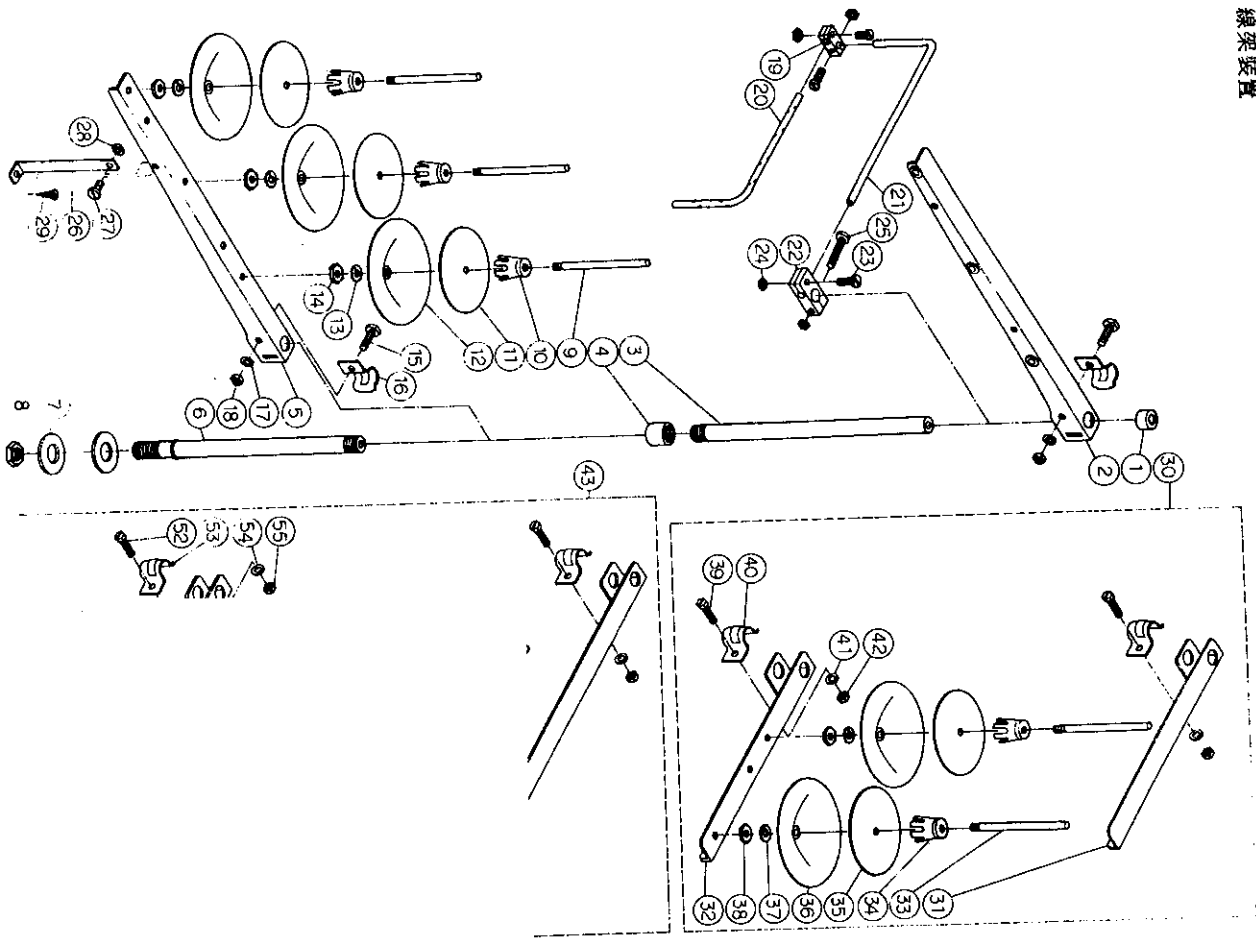
07 SPECIAL ORDER PARTS -
機型變換 NOT AVAILABLE



編號	圖號	名稱	數量
• 1	PF6R4A330	壓腳組	1
• 2	PF6R4A33A	壓腳柄	1
• 3	PF603035	止動片	1
• 4	SB24560405A	螺絲	1
• 5	6041024B700	墊圈	1
• 6	SE322440506L	螺絲	1
• 7	SB24560405A	螺絲	1
• 8	PF603038	定規	1
• 9	PF603037	定位片	1
• 10	PF604A32C	線環舌	1
• 11	PF6R4A33B	壓腳底	1
• 12	DF6R4373	送布齒	1
• 13	PF6R4A331	壓腳組	1
• 14	PF6R5D530	壓腳組	1
• 15	PF6R5D53A	壓脚柄	1
• 16	PF6R5D53D	彈簧	1
• 17	6031009B700	墊圈	1
• 18	SC32440406A	螺絲	1
• 19	SC32440406A	螺絲	1
• 20	PF6R5D53E	止動片	1
• 21	PF6R5D53F	定位片	1
• 22	PF6R5D53G	螺絲	1
• 23	PF6R5D53H	彈簧	1
• 24	PF6R5D53B	壓腳底	1
• 25	PF6R5D53C	後壓脚	1
• 26	PF6R5D53I	螺帽	1
• 27	PF6R5D53J	插梢	1
• 28	PF6R5D531	壓腳組	1
• 29	DF6R5374	送布齒	1

• For SHT 6004
• For SHT 6005

08 THREAD STAND COMPONENTS
線架裝置

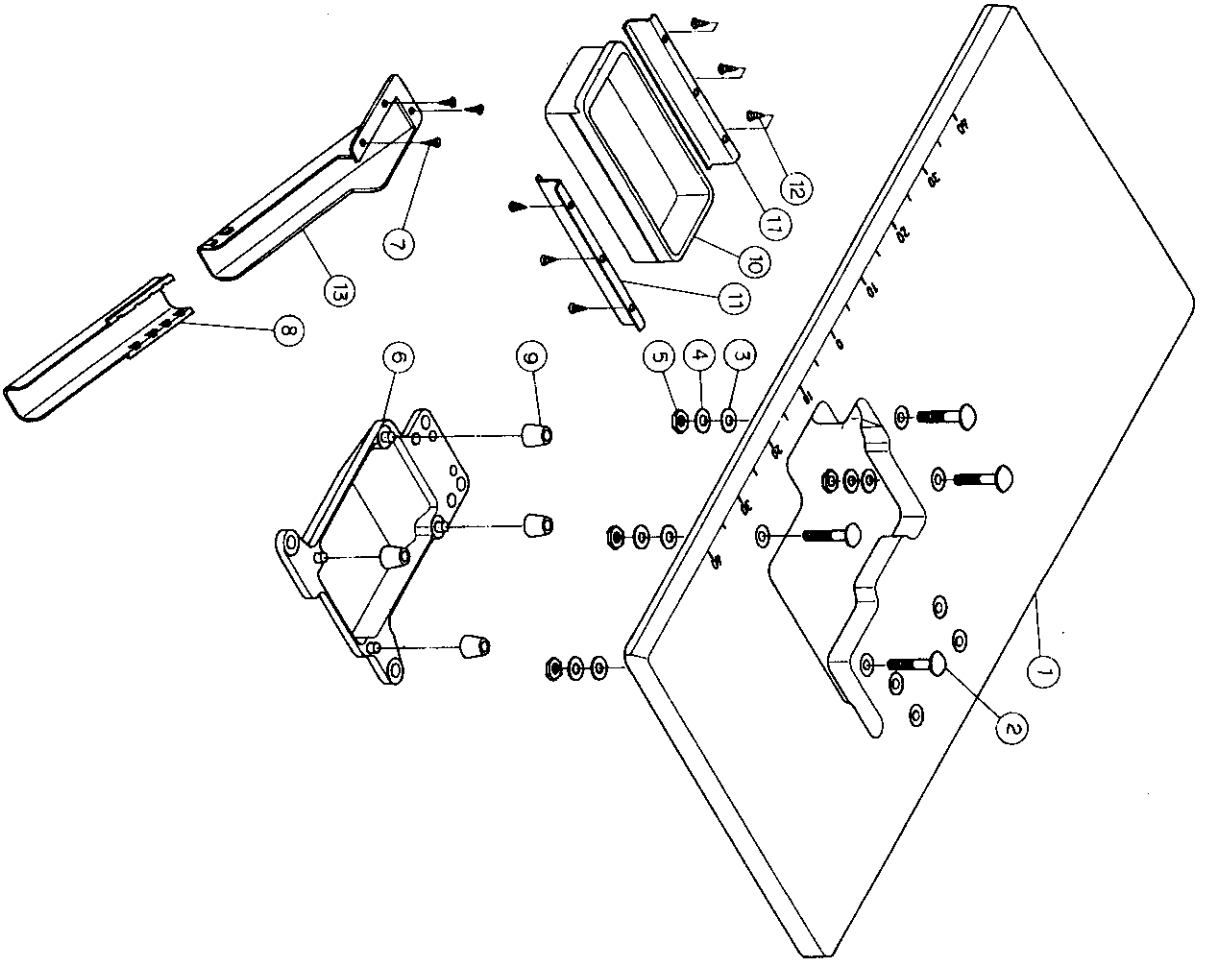


號	圖	名	號	量
1	64511	頂蓋	64511	1
2	64512	上支撐桿	64512	1
3	64513	上支撐架	64513	1
4	64514	下支撐架	64514	1
5	64515	下支撐桿	64515	1
6	64516	彈簧墊圈	64516	1
7	64517	彈簧墊圈	64517	1
8	64518	彈簧墊圈	64518	1
9	64519	彈簧墊圈	64519	1
10	645110	彈簧墊圈	645110	1
11	645111	彈簧墊圈	645111	1
12	645112	彈簧墊圈	645112	1
13	645113	彈簧墊圈	645113	1
14	645114	彈簧墊圈	645114	1
15	MK60102310A	彈簧墊圈	MK60102310A	2
16	645115	彈簧墊圈	645115	2
17	645116	彈簧墊圈	645116	2
18	MA60100510A	彈簧墊圈	MA60100510A	2
19	645117	彈簧墊圈	645117	1
20	645118	彈簧墊圈	645118	1
21	645119	彈簧墊圈	645119	1
22	645120	彈簧墊圈	645120	1
23	MJ40071407A	彈簧墊圈	MJ40071407A	3
24	MA40070408A	彈簧墊圈	MA40070408A	4
25	MJ40072707A	彈簧墊圈	MJ40072707A	1
26	645121	彈簧墊圈	645121	1
27	MC40070908A	彈簧墊圈	MC40070908A	1
28	MA40070408A	彈簧墊圈	MA40070408A	1
29	WF40182208A	彈簧墊圈	WF40182208A	1
30	6452	彈簧墊圈	6452	1
31	64521	彈簧墊圈	64521	1
32	64522	彈簧墊圈	64522	1
33	64519	彈簧墊圈	64519	2

●1 For SHT 6004 SHT 6005
●2 For SHT 6006

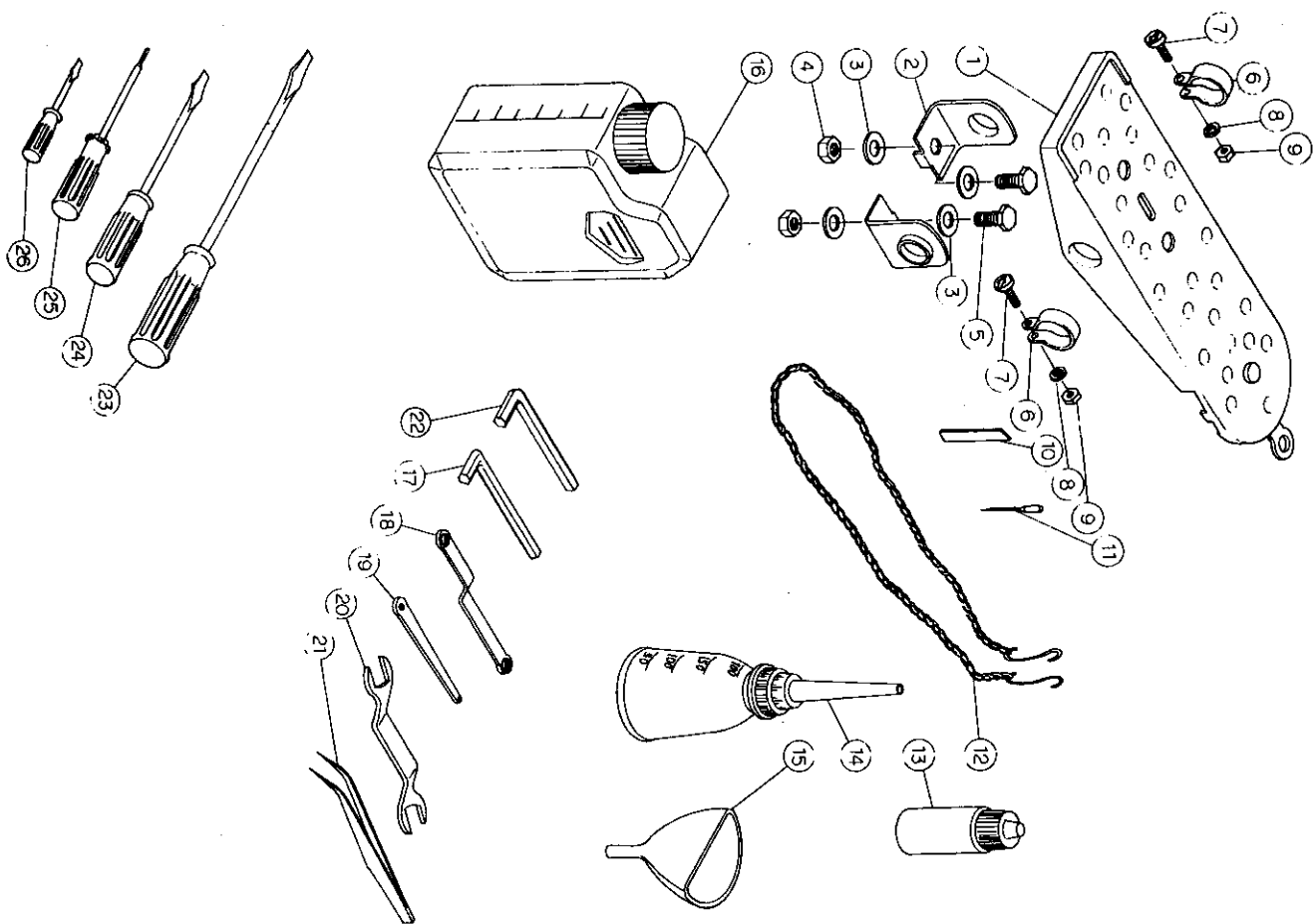
(09) SEMI-SUNKEN TYPE TABLE COMPONENTS

車板裝置



編號	圖號	名稱	數量
1	Table 6721	車板	1
2	Screw 6031702D300	螺絲	4
3	Washer 6031703B700	墊圈	4
4	Washer 6031704B700	墊圈	4
5	Nut SA10160714A	螺帽	4
6	Frame support plate 6031706C200	托底板	1
7	Screw WF03131706A	螺絲	3
8	Waste chute, lower 6742	下導布屑	1
9	Rubber 6031709A600	防震墊	4
10	Drawer 6751	抽屜	1
11	Drawer support 6752	抽屜架	2
12	Screw WF05142207A	螺絲	6
13	Waste chute, upper 6741	上導布屑	1

工具及附件



編號	圖號	名稱	數量
1	6541	踏板	1
2	65411	樞軸	2
3	65412	墊圈	4
4	CA64280408A	螺帽	2
5	CE64281008A	螺絲	2
6	65413	扣環	2
7	CJ64281008A	螺絲	2
8	65414	墊圈	2
9	CA64280408M	螺帽	2
10	65415	下刀	1
11	DC27X11	針	10
12	6521	傳動鏈	1
13	6571	油壺	1
14	6572	油瓶	1
15	6761	油漏斗	1
16	6561	油罐	1
17	6771	六角扳手	1
18	6406	內六角扳手	1
19	6407	內六角扳手	1
20	6396	開口扳手	1
21	6511	夾子	1
22	6772	六角扳手	1
23	6451	平口起子	1
24	6452	平口起子	1
25	6782	六角起子	1
26	6453	平口起子	1

SHF6000系列機型主要更換零件

List of Main Spare Parts for SHF6003

更換零件 機型 Models	更換零件 機型 Models	更換零件 機型 Models	更換零件 機型 Models	更換零件 機型 Models	更換零件 機型 Models	更換零件 機型 Models	更換零件 機型 Models	更換零件 機型 Models	更換零件 機型 Models	更換零件 機型 Models	更換零件 機型 Models	更換零件 機型 Models	更換零件 機型 Models	更換零件 機型 Models	更換零件 機型 Models
SHF 6003-032-M04	TP603032	PPF603032	PPF603032	PPF603032A	PPF603032B	PPF603032	FD60821	DF8040T	AF60871	UL603880	LL603884	6030131	6030132	NC603033	NC603033
SHF 6003-053-H04	TP603053	PPF603052	PPF603032A	PPF603032B	PPF603032B	PPF603053	FD60822	DF85100	AF60871	UL603880	LL603884	6030132	6030132	NC603033	NC603033

List of Main Spare Parts for SHF6004

更換零件 機型 Models	更換零件 機型 Models	更換零件 機型 Models	更換零件 機型 Models	更換零件 機型 Models	更換零件 機型 Models	更換零件 機型 Models	更換零件 機型 Models	更換零件 機型 Models	更換零件 機型 Models	更換零件 機型 Models	更換零件 機型 Models	更換零件 機型 Models	更換零件 機型 Models	更換零件 機型 Models	更換零件 機型 Models
SHF6004-A32-M14	TP604A32	PPF604A32	PPF603032A	PPF604A32B	PPF604A32	FD60971	DF814BE	AF60871	NC604022	UL604883	LL603884	6040132	6040132	NC604903	NC604903
SHF6004-A43-M14	TP604A43	PPF604A32	PPF603032A	PPF604A32B	PPF604A33	FD60824	DF86504	AF60871	NC604022	UL604883	LL603884	6040132	6040132	NC604903	NC604903
OV-634/240	TP604A53	PPF604A32	PPF603032A	PPF604A32B	PPF604A33	FD60824	DF86504	AF60871	NC604022	UL604883	LL603884	6040132	6040132	NC604903	NC604903
SHF6094-A43-M14	TP604A43	PPF694A43	PPF603032A	PPF604A32B	PPF604A33	FD60824A	DF86504A	AF60871	NC604022	UL604882	LL604885	6040132	6040132	NC604903	NC604903

List of Main Spare Parts for SHF 6005

更換零件 機型 Models	更換零件 機型 Models	更換零件 機型 Models	更換零件 機型 Models	更換零件 機型 Models	更換零件 機型 Models	更換零件 機型 Models	更換零件 機型 Models	更換零件 機型 Models	更換零件 機型 Models	更換零件 機型 Models	更換零件 機型 Models	更換零件 機型 Models	更換零件 機型 Models	更換零件 機型 Models	更換零件 機型 Models
OV-636-330	TP605C32	PPF605C32	PPF605A32A	PPF605C32B	FFD605C32	DF85209	AF60874	NC605032	UL603880	LL603884	6050133	NC605905	NC605906	NC605907	NC605907
OV-636-350	TP605C53	PPF605C32	PPF605A32A	PPF605C32B	FFD605C53	DF86009	AF60874	NC605032	UL603880	LL603884	6050134	NC605905	NC605906	NC605907	NC605907
OV-636-530	TP605D53	PPF605D53	PPF605D53A	PPF605D53B	FFD605C53	DF86009	AF60874	NC605048	UL603880	LL603884	6050134	NC605905	NC605906	NC605907	NC605907
OV-636-555	TP605D53	PPF605D53	PPF605D53A	PPF605D53B	FFD605D53	DF85407	AF60873	NC605048	UL603880	LL603884	6050134	NC605905	NC605906	NC605907	NC605907

